

## ARTISAN

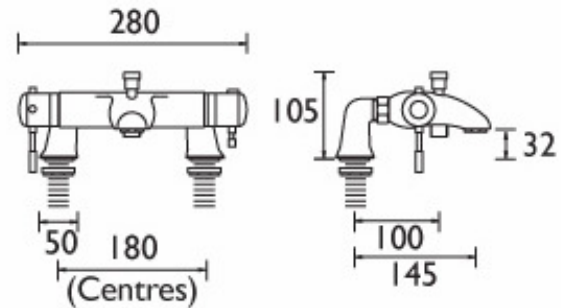
### ARTISAN THERMOSTATIC LEVER BATH SHOWER MIXER

#### Product Specification

<b>Product Code:</b>	AR THLBSM C
<b>Finish:</b>	Chrome plated
<b>Product Type:</b>	Contemporary
<b>Construction:</b>	Body is of brass construction and is designed to conform to BS EN 1287 / BS EN 1111
<b>Valve Type:</b>	½ turn ½" standard valve
<b>Cartridge:</b>	Thermostatic
<b>Supply:</b>	Suitable for all plumbing systems, preferably balanced
<b>Inlet Connections:</b>	¾" BSP
<b>Water Pressure:</b>	Min 0.2 bar Max. 5.0 bar
<b>Dimensions for Fittings:</b>	180mm inlet centres



© Bristan Group 2009



#### Additional Information

- Dual control – Flow and temperature are controlled separately giving accurate control of both.
- Thermostatic control to bath and shower functions.
- Rapid action half turn valve giving an easy ½ turn action.
- Pull up twist & Lock diverter mechanism.
- Product supplied without shower kit. Complimentary shower kits can be found in Bristan Product & Price guide.
- Thermostatic cartridge maintains showering temperature to +/-1°C by compensating for changes in the incoming water temperature and pressure giving the stable outlet temperature.
- Automatic shut off in the event of hot or cold water supply failure, thus reducing the risk of any injury.
- Factory set to 38°C to eliminate the ability to select unsafe temperature, this can be overridden by user.
- Chrome plated to BS EN 248.

**Technical Advice:** For further information please call 0844 7016273 or email [customer@bristan.com](mailto:customer@bristan.com)  
**Guarantee:** 5 years covering manufacturing faults

#### Compliance/Approvals

**WRAS:** Pending

#### Flow Rates (litres per minute)

System Pressure	0.2bar	0.5bar	1.0bar	2bar	3bar	5bar
Bath fill	7.9	14.7	21.4	29.3	25.4	32.8

