

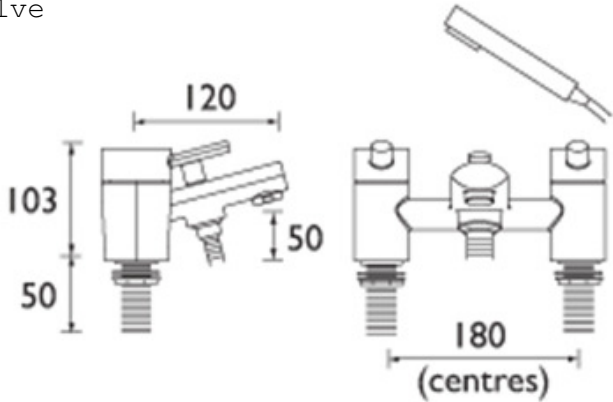
TECHNICAL DATASHEET

OVAL

OVAL BATH SHOWER MIXER

Product Specification

Product Code: OL BSM C
Finish: Chrome
Product Type: Contemporary
Construction: Tap bodies are of all brass construction and are designed to conform to BS EN 200
Valve Type: ¼ Turn ¾" ceramic disc valve
Supply: Suitable for all plumbing systems, ideally balanced
Inlet Connections: ¾" BSP
Working Pressures: Min 0.1bar, Max 10.0bar



1750mm HOSE, RUB CLEAN HANDSET & WALL BRACKET

Additional Information

- Supplied with metal heads and backnuts
- Supplied with ceramic disc valves
- Supplied with 1750mm hose, rub clean handset and wall bracket
- Chrome plated to BS EN 248

Technical Advice: For further information please call 0844 7016273 or email customercare@bristan.com
Guarantee: 5 years covering manufacturing faults

Compliance/Approvals

WRAS Certificate No: 1102001

Flow Rates (litres per minute)

System Pressure	0.2bar	0.4bar	1bar	2bar	3bar	5bar
OL BSM C	5.7	8.3	14.6	20.9	26.6	34.3

Bristan, Birch Coppice Business Park, Dordon, Tamworth, B78 1SG
 Telephone: 0844 701 6274 Facsimile: 0844 701 6275
 Web Site: www.bristan.com Email: enquire@bristan.com
 D2



The information contained on this page was correct at date of issue. Fitting dimensions are provided as a guide only. Some variation may occur due to manufacturing tolerances. Bristan pursues a policy of continuing improvement in design and performance of its products and so reserves the right to change specifications without prior notice.