

TECHNICAL DATASHEET

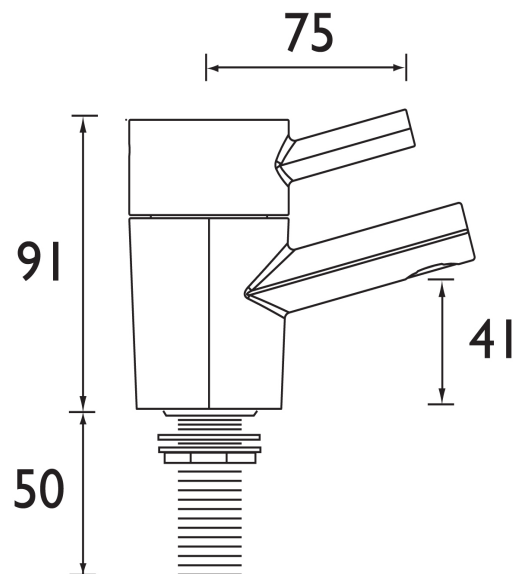
OVAL OVAL BASIN TAPS

Product Specification

Product Code:	OL 1/2 C
Finish:	Chrome
Product Type:	Contemporary
Construction:	Bodies are of brass construction and are designed to conform to BS EN 200
Valve Type:	¼ turn ½" ceramic disc valves
Supply:	Suitable for all plumbing systems, ideally balanced
Inlet Connections:	½" BSP
Water Pressure:	Min. 0.1 bar, Max. 10.0 bar



© Bristan Group 2009



Additional Information

- Supplied with metal handles.
- Supplied with metal backnuts.
- Chrome plated to BS EN 248

Technical Advice: For further information please call 0844 7016273 or email customer@bristan.com.
Guarantee: 5 years covering manufacturing faults.

Compliance/Approvals

WRAS: Certificate no. 1007009

Flow Rates (litres per minute)

System Pressure	0.2bar	0.4bar	1bar	2bar	3bar	5bar
OL ½ C	7.3	10.7	17.4	24.9	30.6	39.5

Bristan, Birch Coppice Business Park, Dordon, Tamworth, B78 15G
 Telephone: 0844 701 6274 Facsimile: 0844 701 6275
 Web Site: www.bristan.com Email: enquire@bristan.com

