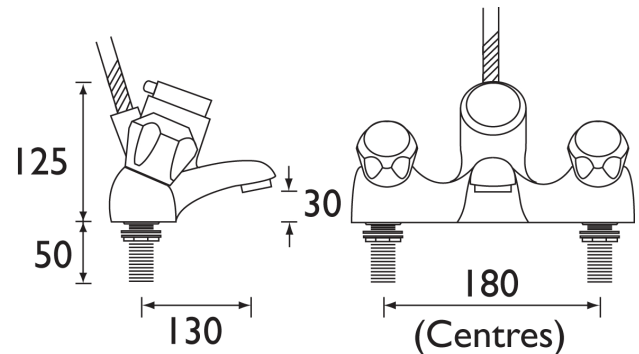


VALUE CROSS HEAD RANGE VALUE THERMOSTATIC BATH SHOWER MIXER CHROME

Product Specification

| | |
|--------------------------------|---|
| Product Code: | VAX THBSMVO C |
| Finish: | Chrome |
| Product Type: | Contemporary |
| Construction: | Bodies are of all brass construction and are designed to conform to BS EN 200 |
| Cartridge/Valve Type: | ¾" standard valves to bath fill; Thermostatic cartridge to shower |
| Supply: | Suitable for all plumbing systems, preferably balanced |
| Inlet Connections: | ¾" BSP |
| Outlet Connection: | G ½" |
| Water Pressure: | Min. 0.2 bar, Max. 8.0 bar |
| Dimensions for Fitting: | 180mm inlet centres |



Additional Information

- Bath - on/off & flow control to bath fill via two cross handles.
- Shower - Sequential Control – The temperature is controlled by single central handle independently to bath fill controls
- Thermostatic cartridge maintains showering temperature to +/- 1°C by compensating for changes in the incoming water temperature and pressure giving the stable outlet temperature (only shower)
- Automatic shut off in the event of hot or cold water supply failure, thus reducing the risk of injury (only shower)
- Factory set to a maximum of 43°C to eliminate the ability to select an unsafe temperature, this is adjustable to suit user preference (only shower)
- Supplied with metal heads
- Chrome plated to BS EN 248

Technical Advice: For further information please call 0844 7016273 or email customer@bristan.com.
Guarantee: 5 years covering manufacturing faults.

Compliance/Approvals

WRAS: Pending

Flow Rates (litres per minute, flow limiters removed)

| System Pressure | 0.2bar | 0.5bar | 1bar | 2bar | 3bar | 5bar |
|-----------------------------|--------|--------|------|-------|-------|-------|
| VAX THBSMVO C (mixed) | 34.3 | 60.6 | 87.9 | 124.3 | 152.2 | 196.5 |
| VAX THBSMVO C (open outlet) | 7.6 | 13.3 | 24.2 | 41.6 | 52.5 | 67.5 |