

TECHNICAL DATASHEET

BRISTAN

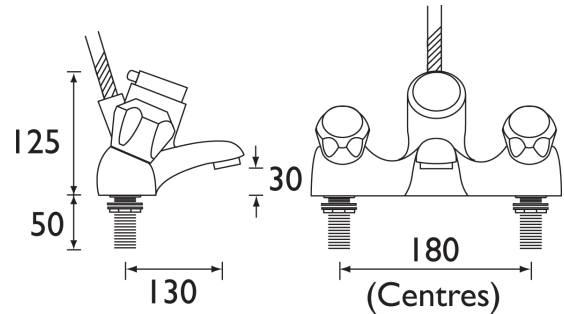
VALUE CLUB RANGE

VALUE THERMOSTATIC BATH SHOWER MIXER CHROME



Product Specification

Product Code:	VAC THBSM C
Finish:	Chrome
Product Type:	Contemporary
Construction:	Body is of brass construction and is designed to conform to BS EN 200
Valve/Cartridge Type:	¾" standard valves to bath fill; Thermostatic cartridge to shower
Supply:	Suitable for all plumbing systems, preferably balanced
Inlet Connections:	¾" BSP
Outlet Connection:	G ½"
Water Pressure:	Min. 0.2 bar, Max. 8.0 bar
Dimensions for Fitting:	180mm inlet centres



Additional Information

- Supplied with handset, 1.5m chrome/black plastic hose, hose retainer and riser rail with plastic soap dish.
- Bath - on/off & flow control to bath fill via two heads.
- Shower - Sequential Control – The temperature is controlled by single central handle independently to bath fill controls.
- Thermostatic cartridge maintains showering temperature to +/- 1°C by compensating for changes in the incoming water temperature and pressure giving the stable outlet temperature (only shower)
- Automatic shut off in the event of hot or cold water supply failure, thus reducing the risk of injury (only shower)
- Factory set to a maximum of 43°C to eliminate the ability to select an unsafe temperature, this is adjustable to suit user preference (only shower)
- Supplied with metal heads
- Chrome plated to BS EN 248

Technical Advice: For further information please call 0844 7016273 or email customer@bristan.com.
Guarantee: 5 years covering manufacturing faults.

Compliance/Approvals

WRAS: Pending

Flow Rates (litres per minute)

System Pressure	0.2bar	0.3bar	0.4bar	0.5bar	1bar
VAC THBSM C (spout)	35.8	43.4	50.1	56	80
VAC THBSM C (handset)	11.6	13.9	16.1	18	20

