

# TECHNICAL DATASHEET

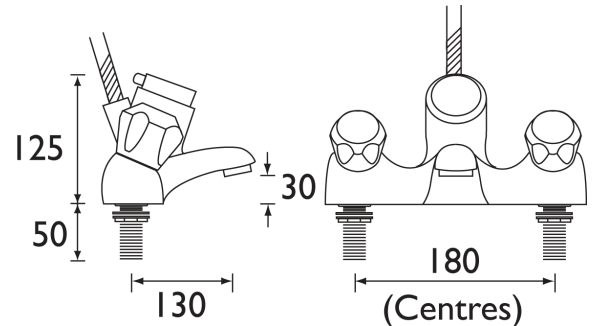
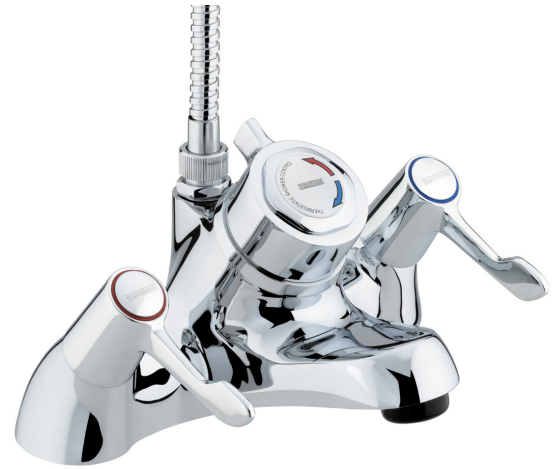
# BRISTAN

## VALUE LEVER RANGE

### VALUE THERMOSTATIC BATH SHOWER MIXER CHROME

#### Product Specification

<b>Product Code:</b>	VAL THBSM C CD
<b>Finish:</b>	Chrome
<b>Product Type:</b>	Contemporary
<b>Construction:</b>	Bodies are of all brass construction and are designed to conform to BS EN 200
<b>Cartridge/Valve Type:</b>	¼ turn ¾" ceramic disc valves to bath fill; Thermostatic cartridge to shower
<b>Supply:</b>	Suitable for all plumbing systems, preferably balanced
<b>Inlet Connections:</b>	¾" BSP
<b>Outlet Connection:</b>	G ½"
<b>Water Pressure:</b>	Min. 0.2 bar, Max. 8.0 bar
<b>Dimensions for Fitting:</b>	180mm inlet centres



#### Additional Information

- Supplied with handset, 1.75m hose, plastic soap dish and riser rail
- Shower - Sequential Control – The temperature is controlled by the one handle
- Ceramic disc flow valves giving low maintenance and an easy ¼ turn action (Bath Filler Only)
- Thermostatic cartridge maintains showering temperature to +/- 1°C by compensating for changes in the incoming water temperature and pressure giving the stable outlet temperature (only shower)
- Automatic shut off in the event of hot or cold water supply failure, thus reducing the risk of injury (only shower)
- Factory set to a maximum of 43°C to eliminate the ability to select an unsafe temperature, this is adjustable to suit user preference (only shower)
- Supplied with metal heads
- Chrome plated to BS EN 248

**Technical Advice:** For further information please call 0844 7016273 or email [customer@bristan.com](mailto:customer@bristan.com).  
**Guarantee:** 5 years covering manufacturing faults.

#### Compliance/Approvals

**WRAS:** Pending

#### Flow Rates (litres per minute)

System Pressure	0.2bar	0.5bar	1bar	2bar	3bar	5bar
VAL THBSM C CD (spout)	15.0	25.0	35.0	50.0	61.0	79.0
VAL THBSM C CD (handset)	7.6	12.1	17.1	24.2	29.6	38.2

