

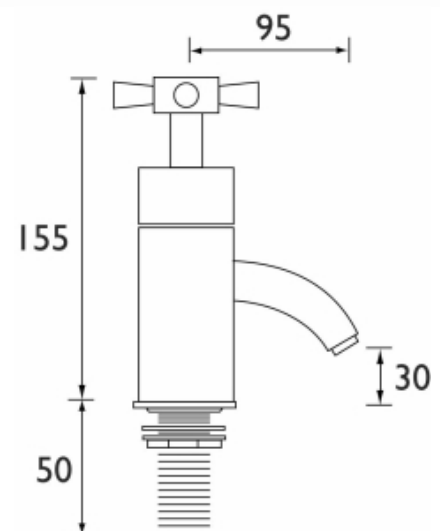
TECHNICAL DATASHEET

RIO

RIO BATH TAPS CHROME

Product Specification

Product Code:	RO ¾ C
Finish:	Chrome
Product Type:	Contemporary
Construction:	Bodies are of all brass construction and are designed to conform to BS EN 200
Valve Type:	¼ turn ¾" ceramic disc valves
Supply:	Suitable for all plumbing systems
Inlet Connections:	¾" BSP
Water Pressure:	Min. 0.2 bar, Max. 8.0 bar



Additional Information

- Supplied with metal handles
- Fitted with right hand ceramic disc valve on cold tap (turns clockwise off) and left hand ceramic disc valve on hot tap (turns anticlockwise off).
- Chrome plated to BS EN 248

Technical Advice: For further information please call 0844 7016273 or email customercare@bristan.com.
Guarantee: 5 years covering manufacturing faults.

Compliance/Approvals

WRAS: Certificate No. 0412036

Flow Rates (litres per minute)

System Pressure	0.2bar	0.5bar	1bar	2bar	3bar	5bar
RO ¾ C	15.5	26.1	38.1	54.4	66.7	86.1