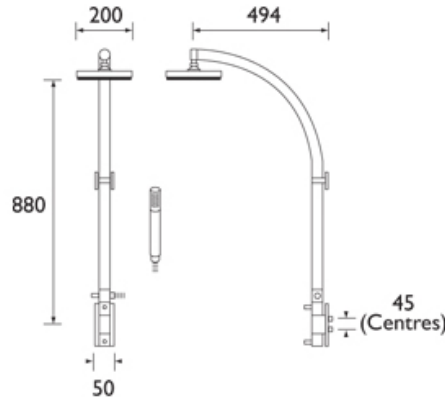


PRISM

PRISM THERMOSTATIC INLINE VERTICAL SHOWER POLE WITH INTEGRAL DIVERTER TO HANDSET

Product Specification

- Product Code:** PM VSHXSPDIV C/B/W
- Finishes:** Chrome/Black/White
- Product Type:** Contemporary
- Construction:** Bodies are of all brass construction
- Valve Type:** 3/4" inline ceramic disc, 1/4 turn;
- Cartridge Type:** Thermostatic cartridge
- Supply:** Suitable for all plumbing systems, preferably balanced
- Inlet Connections:** 15mm push-fit integrated into backplate
- Outlet Connection:** 1/2" BSP
- Water Pressure:** Min 1.0 bar, Max. 5.0bar
- Dimensions for Fitting:** 45mm inlet centres



Additional Information

- Dual control – flow and temperature are controlled separately, giving accurate control of both
- Thermostatic cartridge maintains showering temperature to +/- 1°C by compensating for changes in the incoming water temperature and pressure giving the stable outlet temperature.
- Automatic shut off in the event of hot or cold water supply failure, thus reducing the risk of scalding.
- Factory set to a maximum of 38°C to eliminate the ability to select an unsafe temperature - this can be manually over-ridden up to 46°C to suit user preference.
- Utilises unique fast fit system
- Single function swivel overhead shower rose and handset with easy to clean rub clean nozzles.
- Chrome plated to BSN 248

Technical Advice: For further information please call 0844 7016273 or email customer@bristan.com.
Guarantee: 5 years covering manufacturing faults.

Compliance/Approvals

WRAS: Pending

Flow Rates (litres per minute)

System Pressure	1bar	1.5bar	2bar	3bar
Shower Rose	6.5	8.1	9.5	11.1
Handset	9.3	12.0	13.9	16.7

