

TECHNICAL DATASHEET

BRISTAN

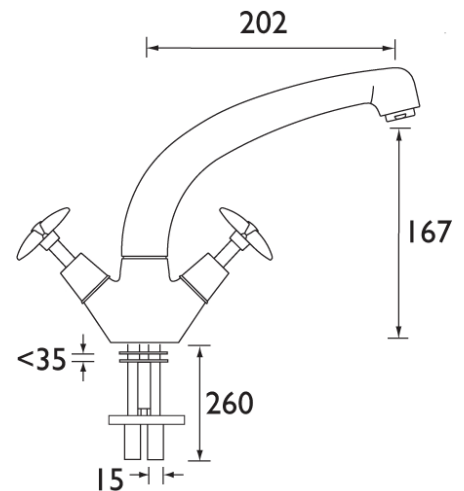
VALUE CROSS HEAD

VALUE CROSS HEAD MONOBLOC SINK MIXER



Product Specification

Product Code:	VAX SNK C
Finishes:	Chrome
Product Type:	Contemporary
Construction:	Tap bodies are of all brass construction
Valve Type:	1/2" Standard valve
Supply:	Suitable for all plumbing systems, preferably balanced
Inlet Connections:	15mm Copper tails
Water Pressure:	Min 2.0 bar Max. 0.7 bar



Additional Information

- Dual flow
- Supplied with metal heads
- Supplied with metal fixing nut
- Chrome plated to BS EN 248

Technical Advice: For further information please call 0844 7016273 or email customer@bristan.com
Guarantee: 5 years covering manufacturing faults

Compliance/Approvals

WRAS: Certificate No. 0907105

Flow Rates (litres per minute)

System Pressure	0.2bar	0.4bar	1bar	2bar	3bar	5bar
Sink Mixer	9.2	13.4	20.5	29.3	35.9	46.3

