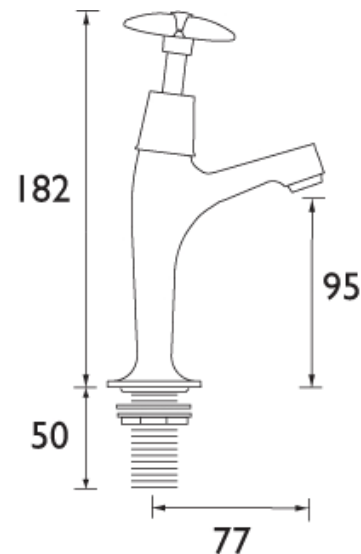


VALUE CROSS HEAD VALUE CROSS HEAD HIGH NECK SINK TAPS

Product Specification

Product Code:	VAX HNK C
Finishes:	Chrome
Product Type:	Contemporary
Construction:	Tap bodies are of all brass construction
Valve Type:	½" Standard valve
Supply:	Suitable for all plumbing systems, preferably balanced
Inlet Connections:	½" BSP
Water Pressure:	Min 0.2 bar, Max. 0.7 bar



Additional Information

- Supplied with metal heads
- Supplied with metal back nuts
- Chrome plated to BS EN 248

Technical Advice: For further information please call 0844 7016273 or email customercare@bristan.com
Guarantee: 5 years covering manufacturing faults

Compliance/Approvals

WRAS: Certificate No. 0910016

Flow Rates (litres per minute)

System Pressure	0.2bar	0.4bar	1bar	2bar	3bar	5bar
High Neck Sink Taps	13.6	19.6	31.0	43.5	53.2	68.7