

# TECHNICAL DATASHEET



## VALUE CROSS HEAD

### VALUE CROSS HEAD DECK SINK MIXER

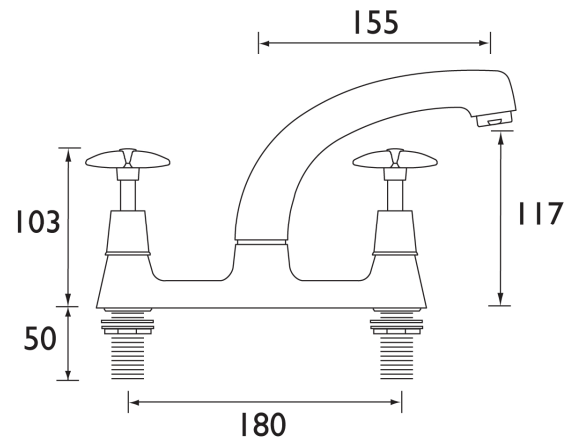


#### Product Specification

<b>Product Code:</b>	VAX DSM C
<b>Finishes:</b>	Chrome
<b>Product Type:</b>	Contemporary
<b>Construction:</b>	Tap bodies are of all brass construction
<b>Valve Type:</b>	1/2" Standard valve
<b>Supply:</b>	Suitable for all plumbing systems, preferably balanced
<b>Inlet Connections:</b>	1/2" BSP
<b>Water Pressure:</b>	Min 2.0 bar Max. 0.7 bar

#### Additional Information

- Supplied with metal heads
- Supplied with metal back nuts
- Chrome plated to BS EN 248



**Technical Advice:** For further information please call 0844 7016273 or email [customer@bristan.com](mailto:customer@bristan.com)  
**Guarantee:** 5 years covering manufacturing faults

#### Compliance/Approvals

**WRAS:** Certificate No. 0907103

#### Flow Rates (litres per minute)

System Pressure	0.2bar	0.4bar	1bar	2bar	3bar	5bar
Deck Sink Mixer	9.3	13.5	20.5	29.7	36.3	46.9

