

TECHNICAL DATASHEET

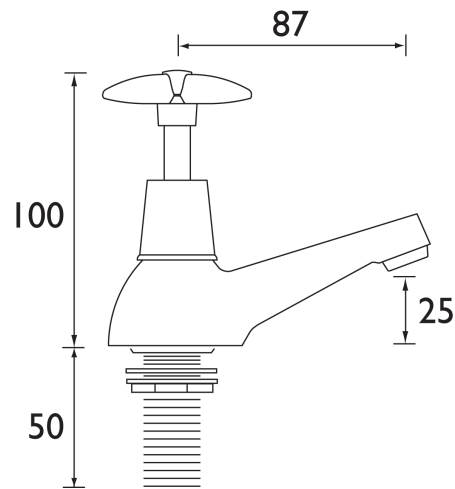


VALUE CROSS HEAD VALUE CROSS HEAD 3/4" BATH TAPS



Product Specification

- Product Code:** VAX 3/4 C
- Finish:** Chrome
- Product Type:** Contemporary
- Construction:** Tap bodies are of all brass construction
- Valve Type:** 1/2" Standard valve
- Supply:** Suitable for all plumbing systems, preferably balanced
- Inlet Connections:** 3/4" BSP
- Water Pressure:** Min 0.2 bar, Max. 7.0 bar



Additional Information

- Supplied with metal heads
- Supplied with metal back nuts
- Chrome plated to BS EN 248

Technical Advice: For further information please call 0844 7016273 or email customer@bristan.com
Guarantee: 5 years covering manufacturing faults

Compliance/Approvals

WRAS: Certificate No.: 0910015

Flow Rates (litres per minute)

System Pressure	0.2bar	0.4bar	1bar	2bar	3bar	5bar
Bath Taps	11.2	15.8	24.8	35.5	43.3	55.8

