

TECHNICAL DATASHEET

BRISTAN

VALUE CLUB

VALUE CLUB MONOBLOC SINK MIXER

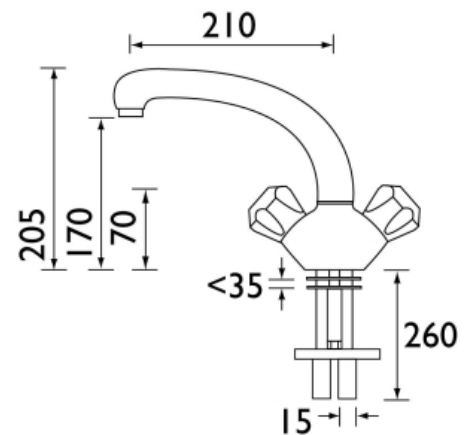


Product Specification

Product Code:	VAC SNK C MT, VAC SNK C NH
Finishes:	Chrome
Product Type:	Contemporary
Construction:	Tap bodies are of all brass construction
Valve Type:	½" Standard valve
Supply:	Suitable for all plumbing systems, preferably balanced
Inlet Connections:	15mm Copper tails
Water Pressure:	Min 2.0 bar Max. 0.7 bar

Additional Information

- Dual flow
- Supplied with metal heads
- Supplied with fixing nut
- Chrome plated to BS EN 248
- VAC SNK C NH – (supplied with no heads)



Technical Advice: For further information please call 0844 7016273 or email customer@bristan.com
Guarantee: 5 years covering manufacturing faults

Compliance/Approvals

WRAS: Certificate No. 0907105

Flow Rates (litres per minute)

System Pressure	0.2bar	0.4bar	1bar	2bar	3bar	5bar
Monobloc Sink Mixer	8.2	11.9	19.1	26.3	32.2	41.6

