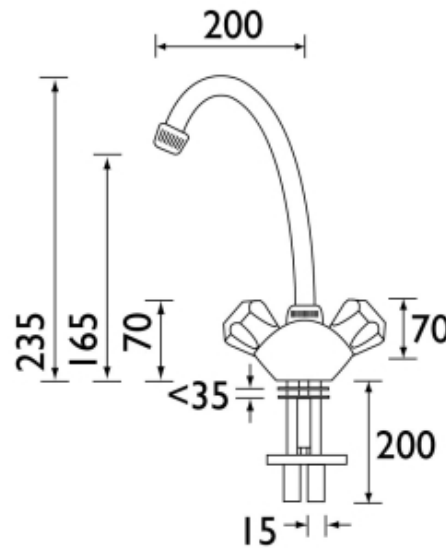


VALUE CLUB

VALUE CLUB SINGLE FLOW SINK MIXER

Product Specification

Product Code:	VAC SFSNK C MT
Finishes:	Chrome
Product Type:	Contemporary
Construction:	Tap bodies are of all brass construction
Valve Type:	½" standard valve
Supply:	Suitable for all plumbing systems, preferably balanced
Inlet Connections:	15mm Copper tails
Water Pressure:	Min 0.2 bar, Max. 7.0 bar



Additional Information

- Supplied with metal heads
- Supplied with metal backcuts
- Chrome plated to BS EN 248

Technical Advice: For further information please call 0844 7016273 or email customer care@bristan.com
Guarantee: 5 years covering manufacturing faults

Compliance/Approvals

WRAS: Certificate No.: 0912012

Flow Rates (litres per minute)

System Pressure	0.2bar	0.4bar	1bar	2bar	3bar	5bar
Single Flow Sink Mixer	11.39	17.79	29.27	41.91	51.63	66.77

