

VALUE CLUB

VALUE CLUB DUAL FLOW BASIN MIXER WITH POP-UP WASTE

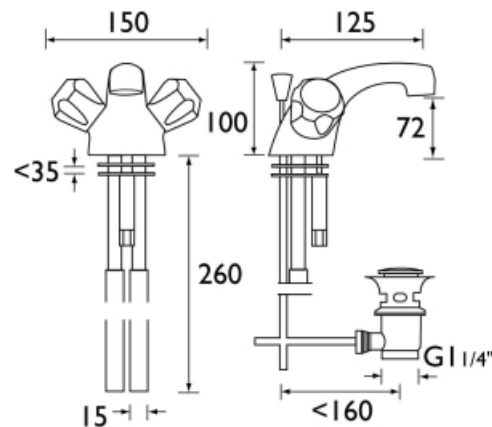


Product Specification

Product Code:	VAC DFBAS C MT, VAC DFBAS C NH
Finishes:	Chrome
Product Type:	Contemporary
Construction:	Tap bodies are of all brass construction
Valve Type:	½" Standard valve
Supply:	Suitable for all plumbing systems, preferably balanced
Inlet Connections:	15mm Copper tails
Water Pressure:	Min 0.2 bar, Max. 7.0 bar

Additional Information

- Dual flow
- Supplied with metal heads
- Supplied with metal fixing nut
- Chrome plated to BS EN 248
- VAC DFBAS C NH – (supplied with no heads)



Technical Advice: For further information please call 0844 7016273 or email customer@bristan.com
Guarantee: 5 years covering manufacturing faults

Compliance/Approvals

WRAS: Certificate No.: 0910012

Flow Rates (litres per minute)

System Pressure	0.2bar	0.4bar	1bar	2bar	3bar	5bar
Dual Flow Basin Mixer	9.2	12.9	20.5	29.1	35.6	46.0