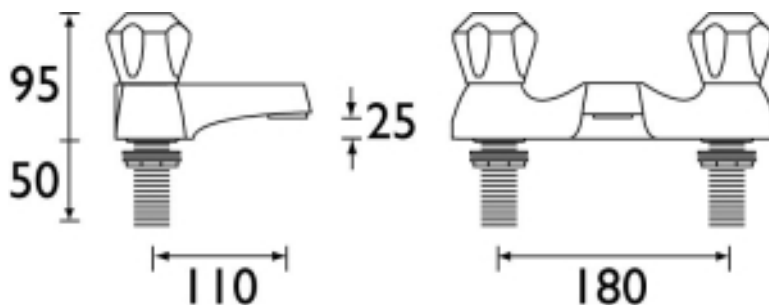


## VALUE CLUB

### VALUE CLUB BATH FILLER

#### Product Specification

<b>Product Code:</b>	VAC BF C MT, VAC BF C NH
<b>Finishes:</b>	Chrome
<b>Product Type:</b>	Contemporary
<b>Construction:</b>	Body is of brass construction and is designed to conform to BS EN 200
<b>Valve Type:</b>	½" standard valves
<b>Supply:</b>	Suitable for all plumbing systems, preferably balanced
<b>Inlet Connections:</b>	¾" BSP
<b>Water Pressure:</b>	Min 0.2 bar Max. 7.0 bar
<b>Dimensions for Fitting:</b>	180mm inlet centres



#### Additional Information

- Supplied with metal heads.
- Supplied with metal backnuts.
- Chrome plated to BS EN 248.
- VAC BF C NH – supplied with no heads.

**Technical Advice:** For further information please call 0844 7016273 or email [customer@bristan.com](mailto:customer@bristan.com)  
**Guarantee:** 5 years covering manufacturing faults

#### Compliance/Approvals

**WRAS:** Certificate No. 0909008

#### Flow Rates (litres per minute)

System Pressure	0.2bar	0.4bar	1bar	2bar	3bar	5bar
Bath Filler	28.2	40.3	62.9	89.0	109.0	140.7