

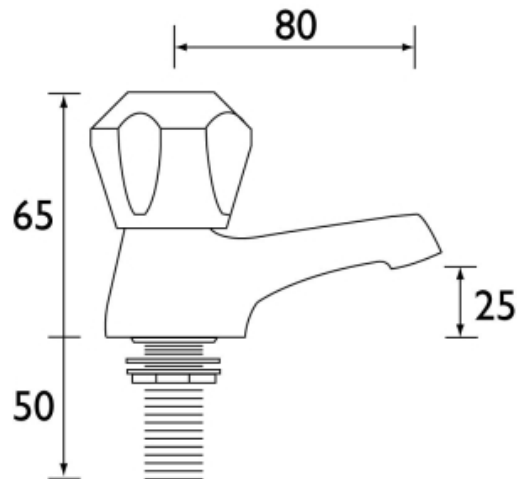
VALUE CLUB

VALUE CLUB ¾ BATH TAPS



Product Specification

Product Code:	VAC ¾ C MT, VAC ¾ C NH
Finishes:	Chrome
Product Type:	Contemporary
Construction:	Tap bodies are of all brass construction
Valve Type:	½" Standard valve
Supply:	Suitable for all plumbing systems, preferably balanced
Inlet Connections:	¾" BSP
Water Pressure:	Min 0.2 bar, Max. 7.0 bar



Additional Information

- Supplied with metal heads
- Supplied with metal backnuts
- Chrome plated to BS EN 248
- VAC ¾ C NH – (supplied with no heads)

Technical Advice: For further information please call 0844 7016273 or email customer care@bristan.com
Guarantee: 5 years covering manufacturing faults

Compliance/Approvals

WRAS: Certificate No.: 0910013

Flow Rates (litres per minute)

System Pressure	0.2bar	0.4bar	1bar	2bar	3bar	5bar
Bath Taps	11.2	15.8	24.8	35.3	43.3	55.8

