

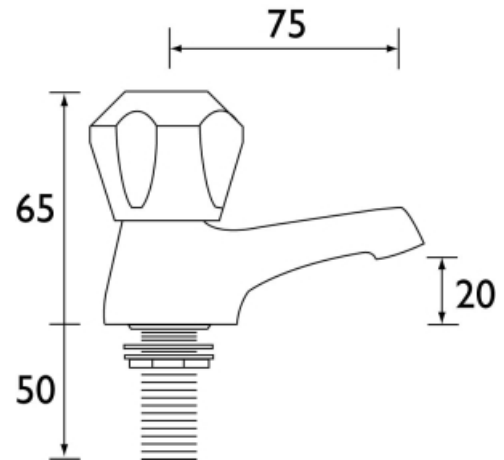
VALUE CLUB

VALUE CLUB 1/2 BASIN TAPS



Product Specification

Product Code:	VAC 1/2 C MT, VAC 1/2 C NH
Finishes:	Chrome plated
Product Type:	Contemporary
Construction:	Bodies are of all brass construction
Valve Type:	1/2" Standard valve
Supply:	Suitable for all plumbing systems, preferably balanced
Inlet Connections:	1/2" BSP
Water Pressure:	Min 0.2 bar Max. 7.0 bar



Additional Information

- Supplied with metal heads
- Supplied with metal backnuts
- Chrome plated to BS EN 248
- VAC 1/2 C NH – (supplied with no heads)

Technical Advice: For further information please call 0844 7016273 or email customer care@bristan.com
Guarantee: 5 years covering manufacturing faults

Compliance/Approvals

WRAS: Certificate No.: 0910013

Flow Rates (litres per minute)

System Pressure	0.2bar	0.4bar	1bar	2bar	3bar	5bar
Basin Taps	14.0	19.9	31.0	44.3	54.2	70.0

