

# TECHNICAL DATASHEET

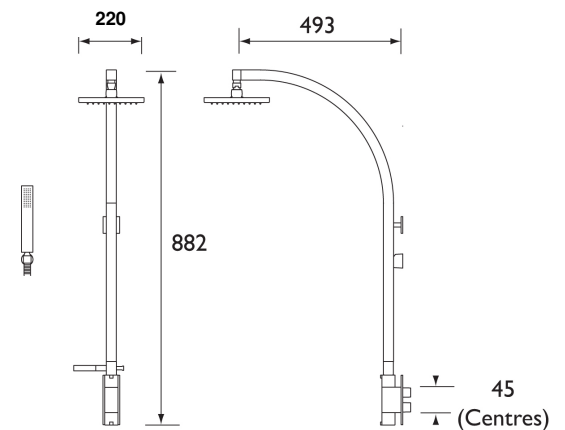
# BRISTAN

## QUBE

QUBE THERMOSTATIC INLINE VERTICAL SHOWER POLE WITH INTEGRAL DIVERTER TO HANDSET CHROME

### Product Specification

<b>Product Code:</b>	QU VSHXSPDIV C
<b>Finish:</b>	Chrome
<b>Product Type:</b>	Contemporary
<b>Construction:</b>	Bodies are of all brass construction.
<b>Valve Type:</b>	¾", ¼ turn inline ceramic disc valve
<b>Cartridge Type:</b>	Thermostatic cartridge
<b>Supply:</b>	Suitable for all plumbing systems, preferably balanced
<b>Inlet Connections:</b>	15mm push-fit integrated into backplate
<b>Outlet Connection:</b>	½" BSP
<b>Water Pressure:</b>	Min 1.0 bar, Max. 5.0bar
<b>Dimensions for Fitting:</b>	45mm inlet centres



### Additional Information

- Thermostatic cartridge maintains showering temperature to +/- 1°C by compensating for changes in the incoming water temperature and pressure giving the stable outlet temperature.
- Automatic shut off in the event of hot or cold water supply failure, thus reducing the risk of scalding.
- Factory set to a maximum of 38°C to eliminate the ability to select an unsafe temperature - this can be manually over-riden up to a maximum 46°C to suit user preference.
- Dual control – flow and temperature are controlled by separate handles, giving accurate control of both
- Chrome plated to BS EN 248
- Swivel overhead shower rose and handset with single function rub clean nozzles
- Supplied with 1.5m shower hose
- With self cancelling diverter: pull diverter out to switch from handshower to overhead shower. Reverts back automatically when shower valve is turned off.

**Technical Advice:** For further information please call 0844 7016273 or email [customer@bristan.com](mailto:customer@bristan.com).  
**Guarantee:** 5 years covering manufacturing faults.

### Compliance/Approvals

**WRAS:** Pending

#### Flow Rates (litres per minute)

System Pressure	1bar	2bar	3bar	4bar	5bar
Shower Rose	8.2	11.7	14.3	16.7	18.6
Handset	10.2	15.2	19.1	22.2	25.2

