

TECHNICAL DATASHEET

QUADRATO

QUADRATO ECO BASIN MIXER CHROME



EASY TO USE

Product Specification

Product Code: QD EBAS C (with pop-up waste)
QD EBASNW C (without waste)

Finishes: Chrome

Product Type: Contemporary

Construction: Bodies are of all brass construction and are designed to conform to BS EN 200

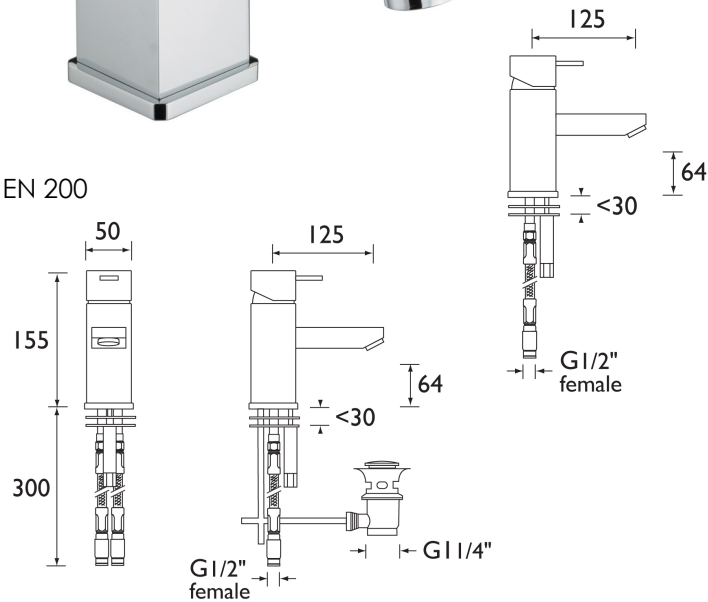
Cartridge/Valve Type: 35mm ceramic disc cartridge

Supply: Suitable for all plumbing systems, ideally balanced

Inlet Connections: ½" Female flexible inlets

Outlet Connection: Flow straightener M24

Water Pressure: Min. 0.5 bar, Max. 8.0 bar



Additional Information

- Includes eco-click water saving feature. Cartridge offers subtle resistance as it reaches approximately half of its full flow capability, saving water. For increased flow the eco-click feature can be overridden.
- Chrome plated to BS EN 248
- Metal fixing nuts
- Incorporates additional safety feature where by the maximum temperature can be controlled by repositioning a plastic collar under the control lever to limit its travel.
- Metal handle

Technical Advice: For further information please call 0844 7016273 or email customer@bristan.com.

Guarantee: 5 years covering manufacturing faults.

Compliance/Approvals

WRAS: Pending

Flow Rates

System Pressure	0.5bar	1bar	2bar	3bar	4bar	5bar
QD EBAS/EBASNW C (Full)	7.6	10.6	14.9	17.3	19.6	21.5
QD EBAS/EBASNW C (Eco)	2.2	4.1	5.8	7.1	8.1	9.0

