

TECHNICAL DATASHEET

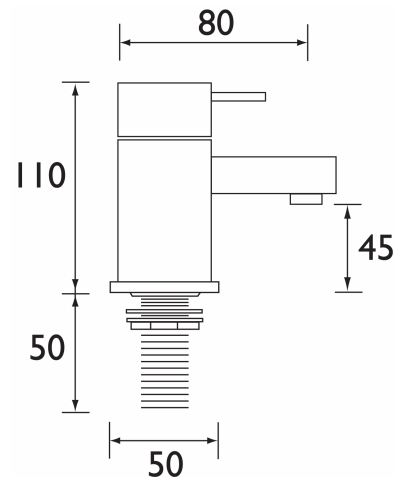
QUADRATO

QUADRATO BASIN TAPS CHROME



Product Specification

Product Code:	QD ½ C
Finishes:	Chrome
Product Type:	Contemporary
Construction:	Bodies are of all brass construction and are designed to conform to BS EN 200
Cartridge/Valve Type:	¼ turn ½" ceramic disc valves
Supply:	Suitable for all plumbing systems, ideally balanced
Inlet Connections:	½" BSP
Outlet Connection:	Flow straightener M24
Water Pressure:	Min. 0.2 bar, Max. 8.0 bar



Additional Information

- Metal handles
- Chrome plated to BS EN 248

Technical Advice: For further information please call 0844 7016273 or email customer@bristan.com.
Guarantee: 5 years covering manufacturing faults.

Compliance/Approvals

WRAS: Pending

Flow Rates

System Pressure	0.2bar	0.5bar	1bar	2bar	3bar	5bar
QD ½ C	7.6	12.8	18.3	25.8	31.3	39.1