

# BLADE/JUTE

## Close Coupled Pan with Cistern



### SPECIFICATION

- Vitreous China Manufactured to:  
BS EN 33:2003  
BS EN 997:2003  
BS 3402:1969
- Pre-fitted Cistern Trim  
WRAS approved Trim  
3/6 litre Dual Flush Cable operated  
Chrome Button
- White
- Box Rim
- BRISTAN Branded

### INCLUDED COMPONENTS

**PAN**  
Packed Weight 18 kgs  
Packed Size 720 x 420 x 490mm

**Cistern**  
Packed Weight 14 kgs  
Packed Size 420 x 240 x 410mm

### PRODUCT DETAILS

White, vitreous china, Close Coupled, box rim, 3/6 litre, dual flush WC. Complete with pre-fitted cistern trim, pan/cistern fixing kit.

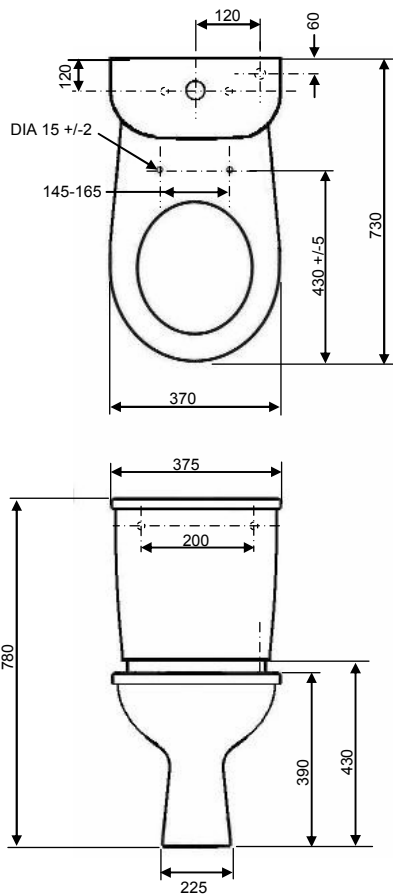
Compatible with:

Blade/Jute Seat Standard Hinge	SW BL/JU SEAT SH W
Blade/Jute Seat Soft Close Hinge	SW BL/JU SEAT SCH W
(Quest Seat Standard Hinge	SW QST SEAT SH W)

### PACKAGING

Pan and cistern individually boxed in brown cardboard. Dual colour label with product details, codes, barcodes and weight.

### DIMENSIONS



Note: all dimensions are shown in mm