



SPECIFICATION

- Vitreous China Manufactured to:
BS EN 33:2003
BS EN 997:2003
BS 3402:1969
- Pre-fitted Cistern Trim
WRAS approved Trim
3/6 litre Dual Flush Cable operated
Chrome Button
- White
- Box Rim
- BRISTAN Branded

INCLUDED COMPONENTS

PAN
Packed Weight 18 kgs
Packed Size 660 x 440 x 470mm

Cistern
Packed Weight 16Kgs
Packed Size 240 x 525 x 415mm

SW QST CC PAN W
18 kgs
660 x 440 x 470mm

SW QST CC CISTERN W
16Kgs
240 x 525 x 415mm

PRODUCT DETAILS

White, vitreous china, Close Coupled, box rim, 3/6 litre, dual flush WC. Complete with pre-fitted cistern trim, pan/cistern fixing kit.

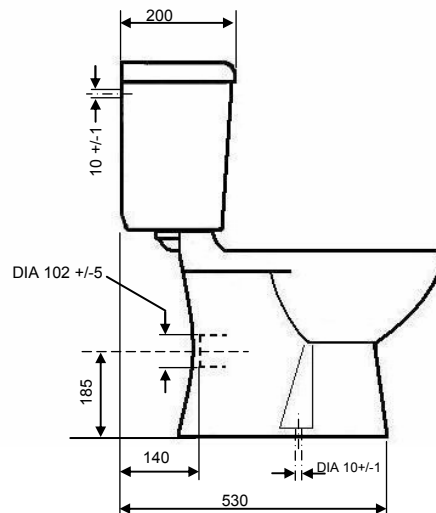
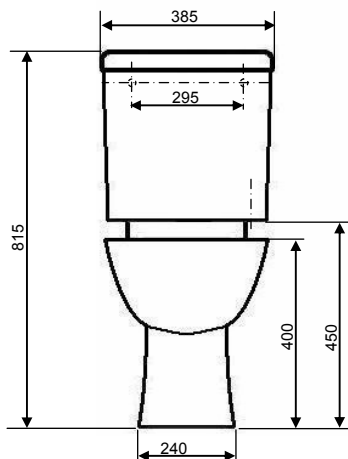
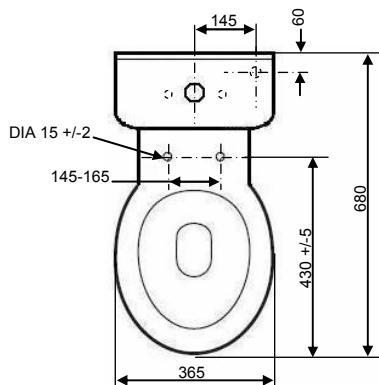
Compatible with:

Quest Seat Standard Hinge SW QST SEAT SH W
(Blade/Jute Seat Standard Hinge SW BL/JU SEAT SH W)
(Blade/Jute Seat Soft Close Hinge SW BL/JU SEAT SCH W)

PACKAGING

Pan and cistern individually boxed in brown cardboard. Dual colour label with product details, codes, barcodes and weight.

DIMENSIONS



Note: all dimensions are shown in mm