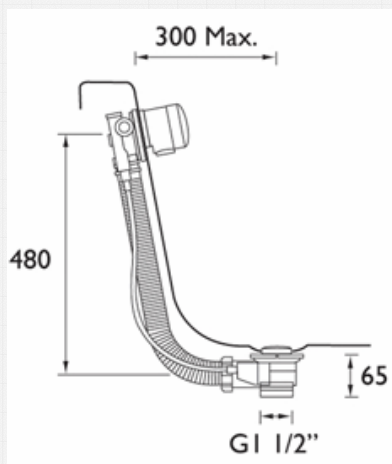


PRISM COMBINED BATH FILL AND OVERFLOW

Product Specification

Product code:	PM WFILL C
Finish:	Chrome
Inlet Connections:	¾" at filler elbows & 22mm compression flexible connectors
Water Pressure:	Min. 0.2 bar Max. 8.0 bar



Maximum Bath Thickness: 12mm



Flow Rates litres per minute

System Pressure	0.2bar	0.3bar	0.4bar	0.5bar	1bar
PM WFILL C	14.2	17.7	20.5	22.9	32.3

Product Information

Construction:	Bodies are of all plastic construction. Designed to be suitable for both pre-mixed water, and separate hot and cold water feeds.
Water Regulations:	All relevant products have been rigorously tested by the WRc and approved in accordance with the Water Regulations Advisory Scheme. WRAS approval Pending.
Supply:	Suitable for all plumbing systems
Technical Advice:	For further information please call +44 (0)844 701 6273 or Email enquire@bristan.com
Guarantee:	All Bristan products are covered by a 5-year guarantee covering manufacturing faults.

