

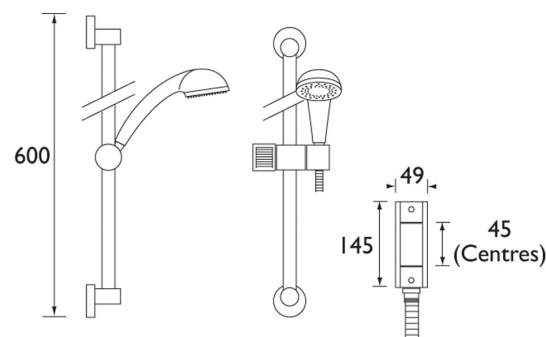
ARTISAN

ARTISAN THERMOSTATIC VERTICAL SHOWER VALVE WITH ADJUSTABLE RISER



Product Specification

Product Code:	AR VSHXAR C
Finish:	Chrome
Product Type:	Contemporary
Construction:	Bodies are of all brass construction
Valve Type:	¼ turn ¾" inline ceramic disc valve
Cartridge Type:	Thermostatic cartridge
Supply:	Suitable for all plumbing systems, preferably balanced
Inlet Connections:	15mm push-fit connections integrated in back plate
Outlet Connection:	G ½"
Water Pressure:	Min. 0.1 bar, Max. 5.0 bar
Dimensions for Fitting:	45mm inlet centres



Additional Information

- Dual control – Flow and temperature are controlled separately giving accurate control of both.
- Thermostatic cartridge maintains showering temperature to +/- 1°C by compensating for changes in the incoming water temperature and pressure providing a stable outlet temperature.
- Automatic shut off in the event of hot or cold water supply failure, thus reducing the risk of injury.
- Factory set to a maximum of 38°C to eliminate the ability to select an unsafe temperature - this can be manually over-riden up to 46°C to suit user preference.
- Supplied with 1.5m hose, hose retainer, adjustable riser kit and single function handset with rub clean nozzles
- Utilizes unique fast fit system
- Chrome plated to BS EN 248.

Technical Advice: For further information please call 0844 7016273 or email customer care@bristan.com.
Guarantee: 5 years covering manufacturing faults.

Compliance/Approvals

WRAS: Pending

Flow Rates (litres per minute, through handset)

System Pressure	0.2bar	0.5bar	1bar	2bar	3bar	5bar
AR VSHXAR C	4.3	7.8	12.2	18.5	22.7	29.3