

m0047712

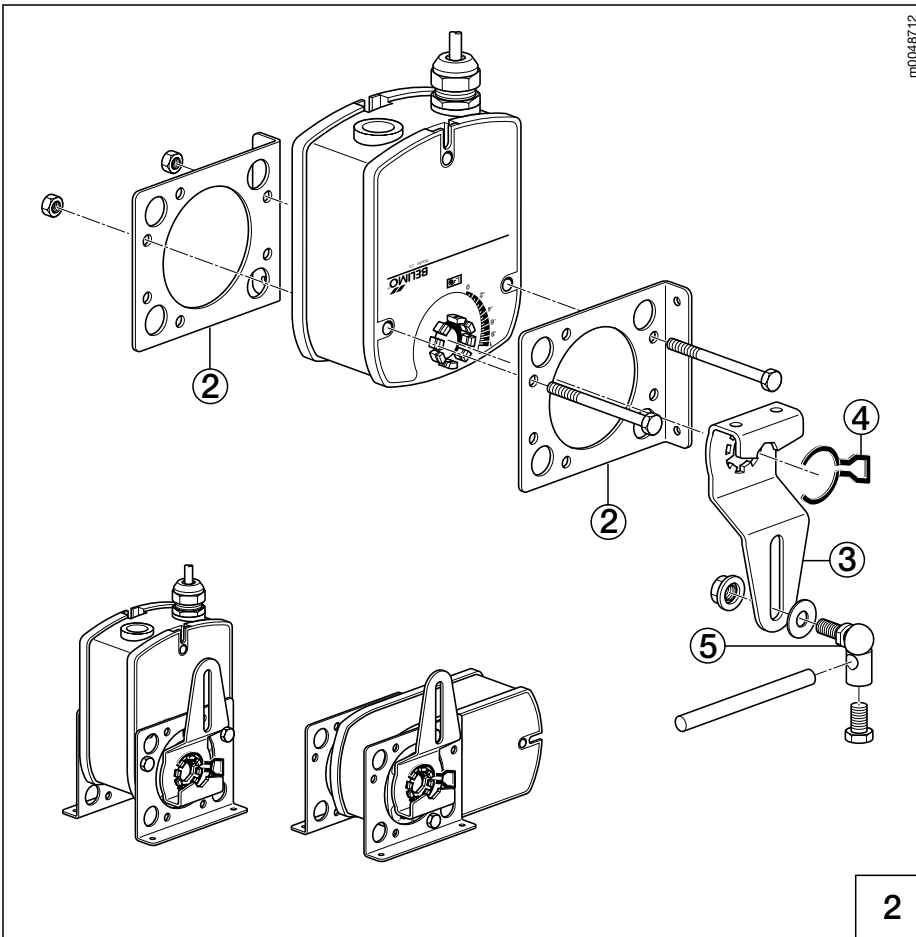
Flat mounting (fig. 1)

Kit specification ZG-LF1

- ① 1 mounting bracket LF
- ③ 1 crank arm ½"
- ④ 1 circlip LF
- ⑤ 2 ball joints KG8

- 3 screws M6 x 67
- 3 nuts M6
- 3 self-tapping screws 4.2 x 13

⑥ Universal crank arm:
order separately, not included with the
ZG-LF... mounting accessory.



m0048712

Side mounting (fig. 2)

Kit specification ZG-LF3

- ② 2 mounting brackets LF
- ③ 1 crank arm ½"
- ④ 1 circlip LF
- ⑤ 2 ball joints KG8

- 2 screws M6 x 67
- 2 nuts M6
- 4 self-tapping screws 4.2 x 13