

# AVK SINGLE ORIFICE AIR VALVE, PN16

701/30

The Series 701/30 is a large, single orifice air valve, suitable for use with potable and filtered water, to a maximum temperature of +70°C.

## Features:

- Releases large volumes of air from pipelines up to 0.9 bar.
- Lightweight design.
- Corrosion resistant construction.
- WRAS approved.

## Options:

- Butterfly isolating valve 2" – 8" sizes.
- Isolating gate valve.
- Bevel gearbox.
- Isolating ball valve 1" size only.
- 80mm NP 16 x 1" BSP female flange.
- 2" – 4" air valves available to PN40.
- Test point.
- Non-slam facility.



DN 50



The designs, materials and specifications shown are subject to change without notice due to our continuing programme of product development.

# AVK SINGLE ORIFICE AIR VALVE, PN16

701/30

## SERVICE CONDITIONS

Maximum Working Pressure: 16 Bar.  
 Temperature Range: -10°C to +70°C. Insulation essential for temperatures of 0°C and below.

## TESTS

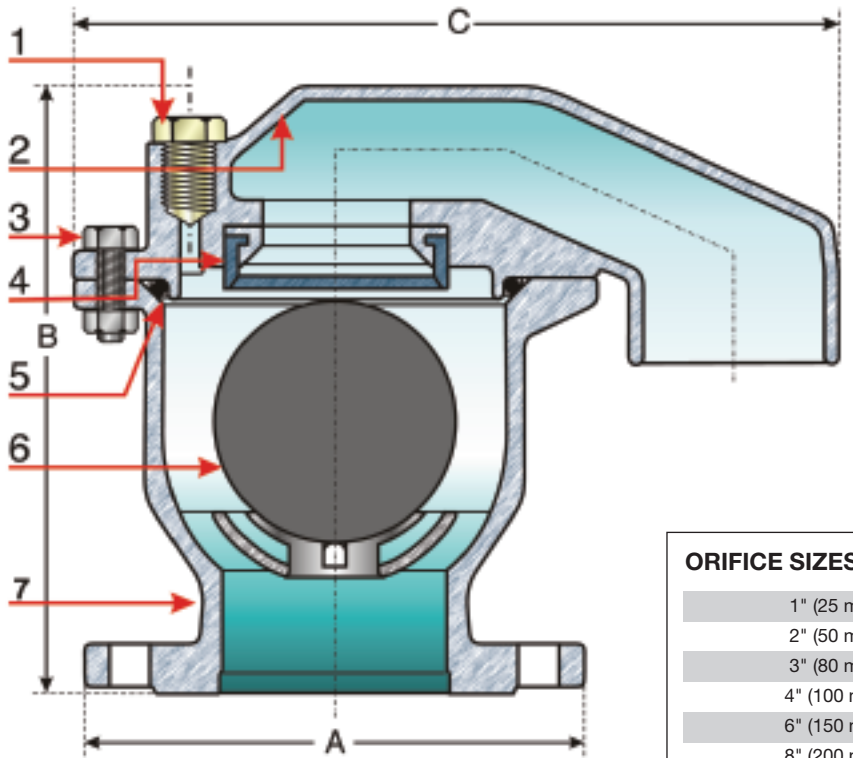
Hydraulic test.  
 Seat: 1.0 x PN high. 0.2 Bar. low. Body: 1.5 x PN.

## APPLICABLE STANDARDS

Inlet flange to BS EN 1092-2: 1997. WRAS approved.

## MATERIALS OF CONSTRUCTION

No.	DESCRIPTION	MATERIAL
1	Plug	DZR brass to BS 2874 CZ 132.
2	Cover	Cast iron. GG-25, BS EN 1561 – GJL-HB-195.
3	Bolt Assembly	Steel zinc cobalt plated.
4	Nozzle	EPDM on DZR brass to BS 2874, CZ 132.
5	O Ring	BUNA-N.
6	Ball	Polycarbonate.
7	Body and Basket	Cast iron. GG-25, BS EN 1561 – GJL-HB-195.
	Coating	Electrostatically applied blue epoxy to WIS-4-52-01 Class B.



## ORIFICE SIZES

1" (25 mm)	78.5 mm <sup>2</sup>
2" (50 mm)	794 mm <sup>2</sup>
3" (80 mm)	1809 mm <sup>2</sup>
4" (100 mm)	3317 mm <sup>2</sup>
6" (150 mm)	17662 mm <sup>2</sup>
8" (200 mm)	31400 mm <sup>2</sup>

## DIMENSIONS & WEIGHTS

Ref Nos.	Size	A	B	C	Weight
		mm	mm	mm	kilos
701-025-30199003	1"(25mm)	N/A	195	130	3.5
701-050-30041003	2"(50mm)	165	243	160	8.5
701-058-30041003	2"+ 80 mm flange	200	243	160	11.4
701-080-30041003	3"(80mm)	200	255	286	17.5
701-100-30041003	4"(100mm)	220	287	342	27
701-150-30041003	6"(150mm)	285	530	553	77
701-200-30041003	8"(200mm)	340	530	553	116



AVK UK Limited

**Northampton Office**  
 8 Rushmills, Northampton,  
 NN4 7YB England, UK.  
 Tel.: +44 (0) 1604 601188  
 Fax.: +44 (0) 1604 604818

**Chesterfield Office**  
 Colliery Close, Ireland Ind. Est., Staveley,  
 Chesterfield, S43 3FH, England, UK.  
 Tel.: +44 (0) 1246 479100  
 Fax.: +44 (0) 1246 479200

www.avkuk.co.uk