

healthcare

# HTM64 (UR H) contour urinal

UR H 1/2 or 3 panel mounted single, double or triple urinal ranges with high level cistern and pipework.

Suitable for duct panel, see page 16:2:6A.

- Hospital pattern urinal
- Concealed trap
- Flush pipes & auto cistern - range specific
- Other items quantity is number in range

healthcare

HTM64



**Illustrated**

Range of 2 urinals comprising:  
**S6110 UR H2** Contour 67cm urinal  
**S6215** Conceala auto cistern in plastic, 4.5 litre  
**S6286** back inlet spreader  
**S9275** concealed steel hangers  
**S9276** toggle bolts for panel fixing  
**S8850** 1 1/2in plastic domed waste  
**S8970** 1 1/2in plastic swivel P trap with 75mm seal  
**S6227** concealed flushpipes and clips

**Material**

Vitreous china

**Weight**

Urinal 14.0kg  
 4.5 litre cistern 3.5kg  
 9 litre cistern 3.5kg

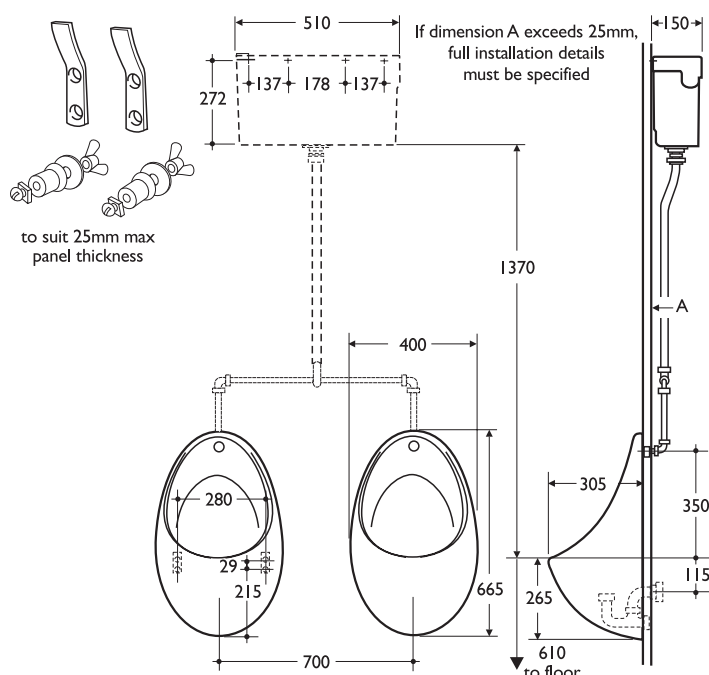
**Options**

Range of 3 urinals  
**UR H3** as specified in illustration but;  
**S6216** Conceala auto cistern & cover in plastic, 9 litre capacity with automatic syphon and petcock  
**S6228** concealed flushpipes and clips  
 Single urinal  
**UR H1** as specified illustration but;  
**S6226** concealed flushpipe and clip

**S6120** division with hanger and screw

**Special notes**

Auto cistern should not exceed 10 litre per hour for cistern serving a single bowl or 7.7 litre per bowl on ranges of two or more, refer to the Water Supply (water Fittings) Regulations 1999  
 Lip height is 630mm when on IPS panel system



Urinals for junior use should be set at 510mm from floor to lip of bowl

