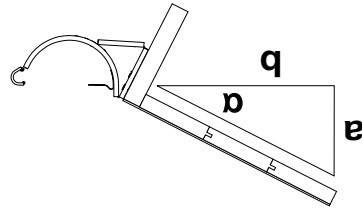
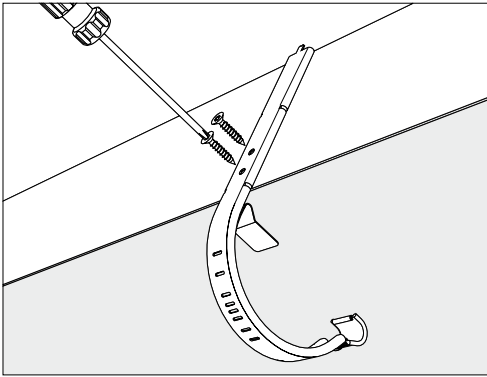


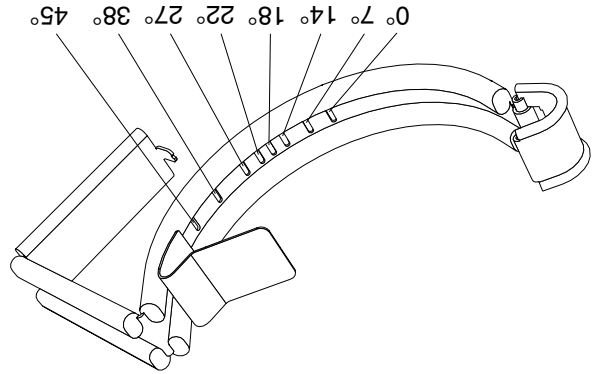
3.



| | | |
|-----|---|------|
| 0° | 1 | 1 |
| 7° | 1 | 8 |
| 14° | 1 | 4 |
| 18° | 1 | 3 |
| 22° | 1 | 2.5 |
| 27° | 1 | 2 |
| 38° | 1 | 1.25 |
| 45° | 1 | 1 |
| | a | b |



2.



1.

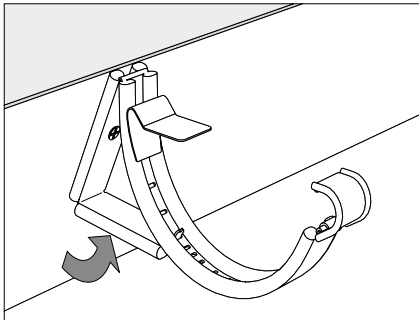


www.lindab.com

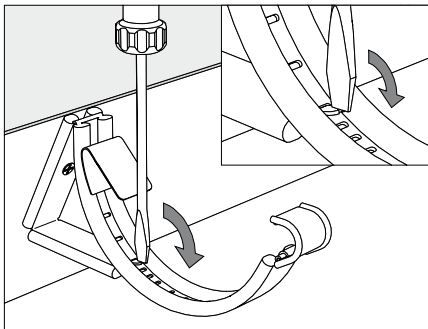
lindab rainline | assembly instruction

lindab rainline | assembly instruction

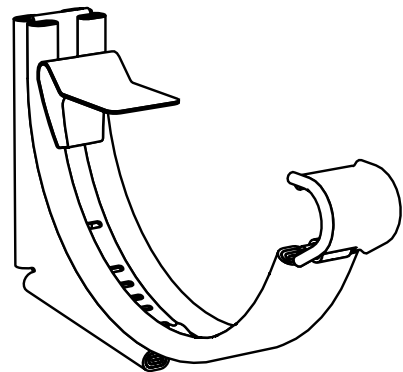
4.



5.



SSK



Lindab Profil AB

SE-269 82 Båstad
Phone +46 431 850 00
Fax +46 431 851 50



www.lindab.com

For latest prices and delivery to your door visit MyTub Ltd - www.mytub.co.uk - info@mytub.co.uk