

X70 bidet mono

1/4 turn ceramic cartridge

flexible tails



X70 bidet mono

X70 Bidet Mono Mixer
Inc Click Clack Waste

X705135CP

finish

Chrome plated CP.

approvals

Product manufactured from WRAS approved materials

standards

Chrome plated to BS EN248

system requirements

Can be installed on any system

recommended operating pressure

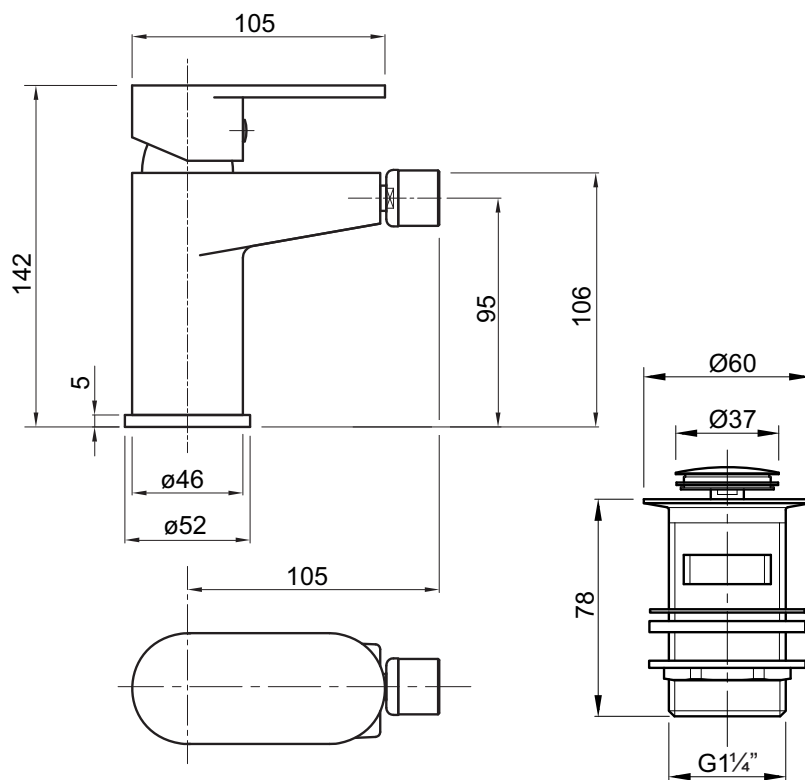
Minimum operating pressure 0.2 bar.

Maximum operating pressure 5 bar.

note

Maximum surface thickness to fit tap is 44mm.
Easy fit clicker waste (slotted) included.
Attached using 'C' plate fixing kit included.

X70 Bidet Mono Mixer Inc Click Clack Waste



Deck Mounted Bidet Mixer – X705135CP

Flow Rate (Litres per minute)	0.2 Bar	0.5 Bar	1.0 Bar	2.0 Bar	3.0 Bar	5.0 Bar
Standard Mixed	4.3	7.6	11.3	15.8	19.35	24.98

All measurements shown are in millimetres. Drawing sizes are not to scale.
to specify/order: Please use the 8 or 9 character reference shown above.

Lawton Road, Alsager, Stoke-on-Trent ST7 2DF, UK
Tel: +44(0) 1270 879777 Fax: +44(0) 1270 873864
www.twyfordbathrooms.com UK Technical Helpline Tel: 0844 412 5921/01270 871 480

Twyford