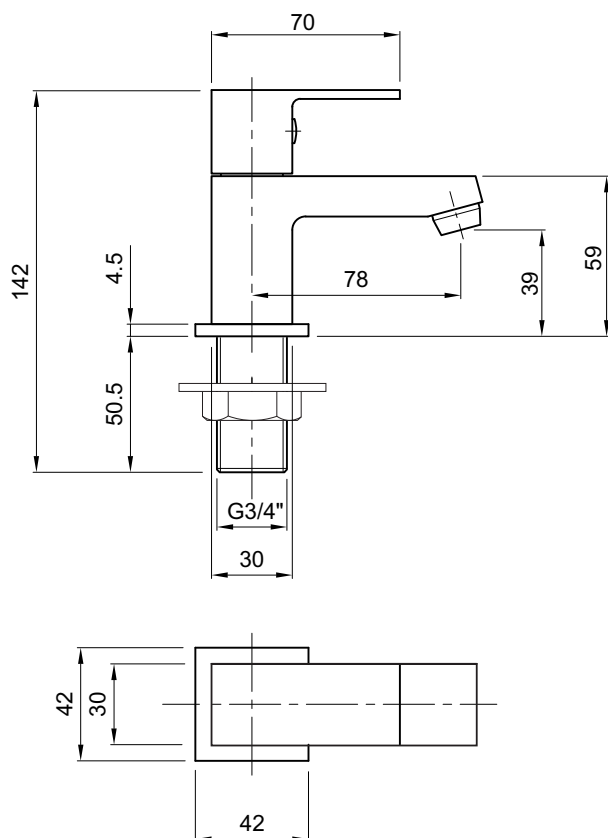


# X62 bath pillar taps

1/4 turn ceramic cartridge



X62 Bath 3/4" Pillar Taps



## 3/4" Bath Pillar Taps – X625215CP

Flow Rate (Litres per minute)	0.2 Bar	0.5 Bar	1.0 Bar	2.0 Bar	3.0 Bar	5.0 Bar
Standard	6.9	11.2	15.4	22.3	27.6	35.3

All measurements shown are in millimetres. Drawing sizes are not to scale.  
to specify/order: Please use the 8 or 9 character reference shown above.

### X62 bath pillar taps

X62 Bath 3/4" Pillar Taps

X625215CP

#### finish

Chrome plated CP.

#### approvals

Product manufactured from WRAS approved materials

#### standards

Chrome plated to BS EN248

#### system requirements

Can be installed on any system

#### recommended operating pressure

Minimum operating pressure 1 bar.

Maximum operating pressure 5 bar.

#### note

Maximum surface thickness to fit tap is 33mm.  
Plastic back nuts included.