

# X62 bidet mono

1/4 turn ceramic cartridge

flexible tails



## X62 bidet mono

X62 Bidet Mono Mixer  
Inc Click Clack Waste

**X625135CP**

### finish

Chrome plated CP.

### approvals

Product manufactured from WRAS approved materials

### standards

Chrome plated to BS EN248

### system requirements

Can be installed on any system

### recommended operating pressure

Minimum operating pressure 0.2 bar.

Maximum operating pressure 5 bar.

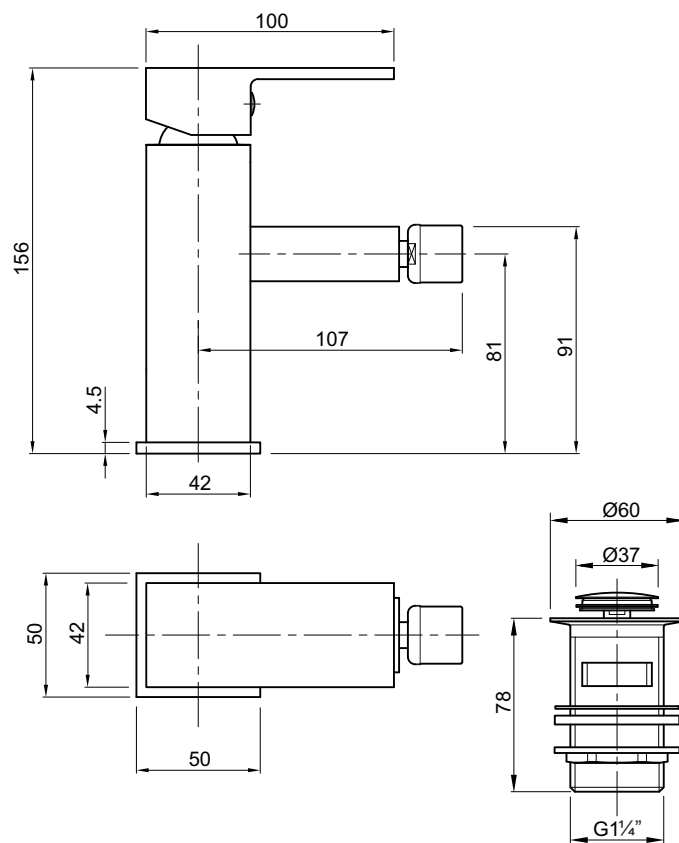
### note

Maximum surface thickness to fit tap is 44mm.

Easy fit clicker waste (slotted) included.

Attached using 'C' plate fixing kit included.

X62 Bidet Mono Mixer Inc Click Clack Waste



## Deck Mounted Bidet Mixer – X625135CP

| Flow Rate (Litres per minute) | 0.2 Bar | 0.5 Bar | 1.0 Bar | 2.0 Bar | 3.0 Bar | 5.0 Bar |
|-------------------------------|---------|---------|---------|---------|---------|---------|
| Standard Mixed                | 5.1     | 8.7     | 12.7    | 18.3    | 22.7    | 29.4    |

All measurements shown are in millimetres. Drawing sizes are not to scale.  
to specify/order: Please use the 8 or 9 character reference shown above.

Lawton Road, Alsager, Stoke-on-Trent ST7 2DF, UK  
Tel: +44(0) 1270 879777 Fax: +44(0) 1270 873864  
www.twyfordbathrooms.com UK Technical Helpline Tel: 0844 412 5921/01270 871 480

# Twyford