

X60 bath filler - deck mounted

1/4 turn ceramic cartridge



X60 Bath Filler Deck Mounted

X60 bath filler - deck mounted

X60 Bath Filler Deck Mounted **X605255CP**

finish

Chrome plated CP.

approvals

Product manufactured from WRAS approved materials

standards

Chrome plated to BS EN248

system requirements

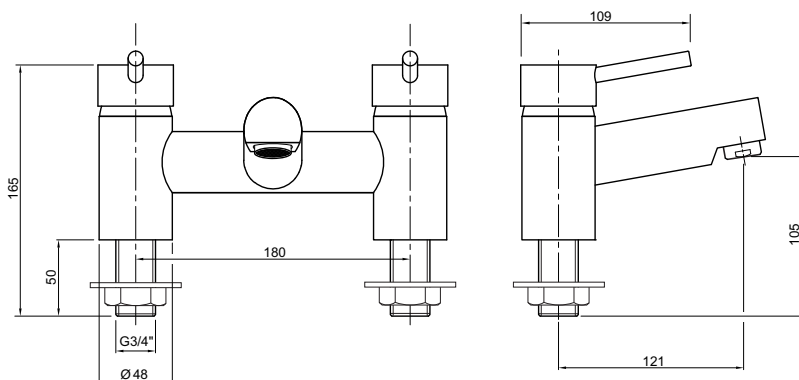
Can be installed on any system

recommended operating pressure

Minimum operating pressure 1 bar.

Maximum operating pressure 5 bar.

note

Maximum surface thickness to fit tap is 33mm.
Plastic back nuts included.

Deck Mounted Bath Filler – X605255CP

Flow Rate (Litre's per minute)	0.2 Bar	0.5 Bar	1.0 Bar	2.0 Bar	3.0 Bar	5.0 Bar
Standard Mixed	16.4	26.7	38.5	54.5	66.7	86.1

All measurements shown are in millimetres. Drawing sizes are not to scale.
to specify/order: Please use the 8 or 9 character reference shown above.

Lawton Road, Alsager, Stoke-on-Trent ST7 2DF, UK
Tel: +44(0) 1270 879777 Fax: +44(0) 1270 873864
www.twyfordbathrooms.com UK Technical Helpline Tel: 0844 412 5921/01270 871 480

Twyford