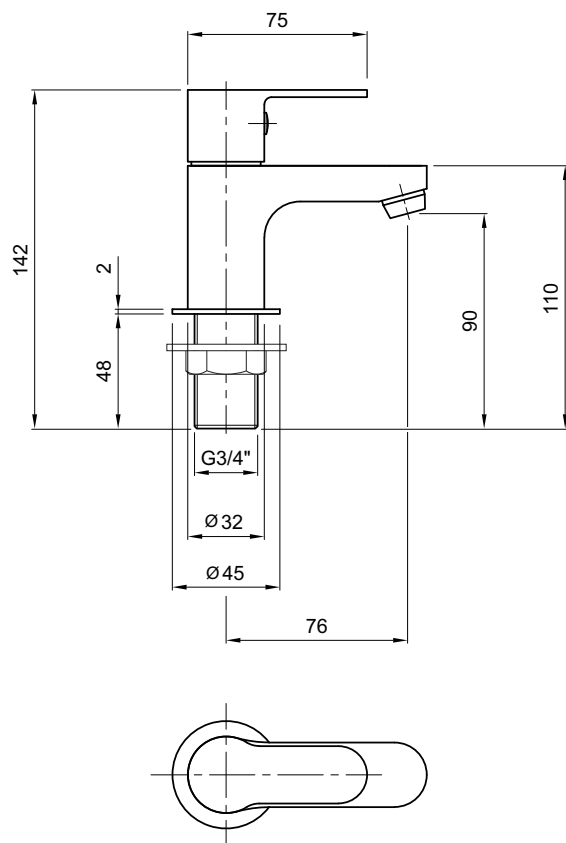


# X50 bath pillar taps

1/4 turn ceramic cartridge



X50 Bath 3/4" Pillar Taps



## X50 bath pillar taps

X50 Bath 3/4" Pillar Taps

**X505215CP**

### finish

Chrome plated CP.

### approvals

Product manufactured from WRAS approved materials

### standards

Chrome plated to BS EN248

### system requirements

Can be installed on any system

### recommended operating pressure

Minimum operating pressure 1 bar.

Maximum operating pressure 5 bar.

### note

Maximum surface thickness to fit tap is 33mm.  
Plastic back nuts included.

## 3/4" Bath Pillar Taps – X505215CP

Flow Rate (Litres per minute)	0.2 Bar	0.5 Bar	1.0 Bar	2.0 Bar	3.0 Bar	5.0 Bar
Standard	6.4	10.7	15.6	22.4	27.8	34.6

All measurements shown are in millimetres. Drawing sizes are not to scale.  
to specify/order: Please use the 8 or 9 character reference shown above.

Lawton Road, Alsager, Stoke-on-Trent ST7 2DF, UK  
Tel: +44(0) 1270 879777 Fax: +44(0) 1270 873864  
www.twyfordbathrooms.com UK Technical Helpline Tel: 0844 412 5921/01270 871 480

# Twyford