

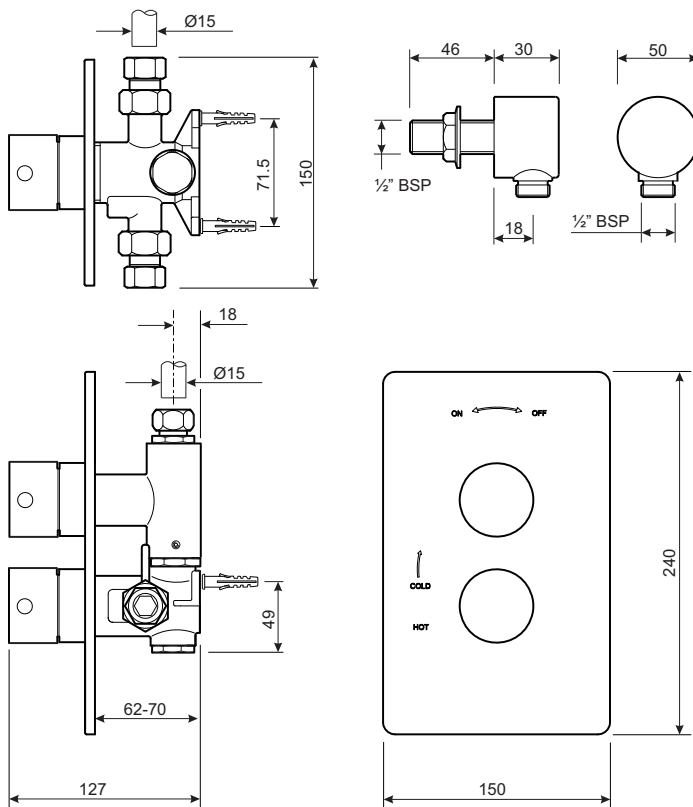
X120 thermostatic shower valve

recessed and dual control

ceramic cartridge



X120 Thermostatic Shower Valve



X120 thermostatic shower valve

X120 Thermostatic Shower Valve **X205042CP**

shower rail

Sola shower rail, hose & head **SF1251CP**

finish

Chrome plated CP.

approvals

Product manufactured from WRAS approved materials

standards

Chrome plated to BS EN248

system requirements

Gravity fed hot & cold (equal pressures)

Gravity fed hot & mains cold

(Differential pressure, max ratio 5:1)

Unvented systems

Instantaneous water heater (Combination boiler)

Pumped system

Minimum cold water supply temp = 5°C

Maximum cold water supply temp = 25°C

Maximum Hot water supply temp = 80 °C

recommended operating pressure

Minimum operating pressure 0.2 bar.

Maximum operating pressure 5 bar.

note

Temperature pre set to max 42°C. Hose outlet included. Will fit a standard 1/2" BSP hose connector.

Thermostatic Recessed Shower Valve – X205042CP

Flow Rate (Litres per minute)	0.5 Bar	1 Bar	2 Bar	3 Bar	4 Bar	5 Bar
Without Flow Regulator Fitted	13.4	19.6	28.4	34.9	39.9	44.0
Flow Limiter Fitted (Part No:XS9008XX)	6.0	7.5	8.0	8.0	8.0	8.0

All measurements shown are in millimetres. Drawing sizes are not to scale.
to specify/order: Please use the 8 or 9 character reference shown above.

Lawton Road, Alsager, Stoke-on-Trent ST7 2DF, UK
Tel: +44(0) 1270 879777 Fax: +44(0) 1270 873864

www.twyfordbathrooms.com UK Technical Helpline Tel: 0844 412 5921/01270 871 480

Twyford