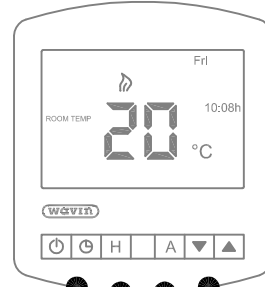


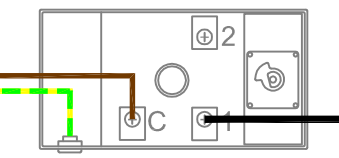
Wavin 230V Thermostat



L N A1 A2

230V AC Supply

(Via Heating / Hot Water System Fused Spur)

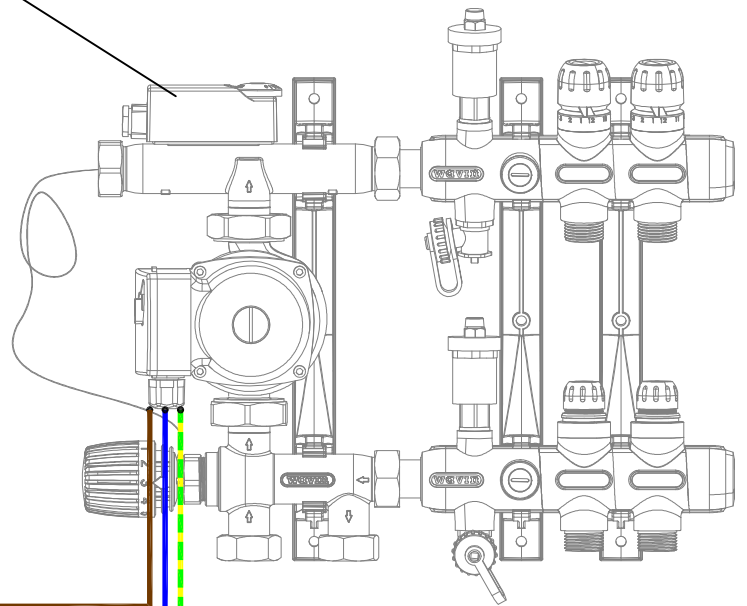
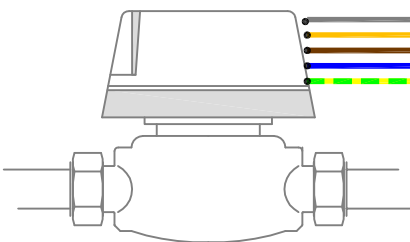


Flow Watch Protection Thermostat
Common and Terminal 1 Used
Set 10°C Above Operational Temperature

To Heat Source

(Heating Enable Terminals)

2 Port Zone Valve



UFH Manifold



Wavin, Underfloor Heating Division, The Dart Building, Grenadier Road, Exeter Business Park, Exeter, Devon, EX1 3QF

Tel: 01392 444122 Fax: 01392 444135 Email: info@thermboard.co.uk Web: www.thermboard.co.uk

52UH273 - Wiring Diagram - 1 Zone

November 2010



All components must be installed and earthed in accordance with local regulations.

Only competent persons with certification recognised under Building Regulations - Part P should carry out electrical installation or servicing work.