

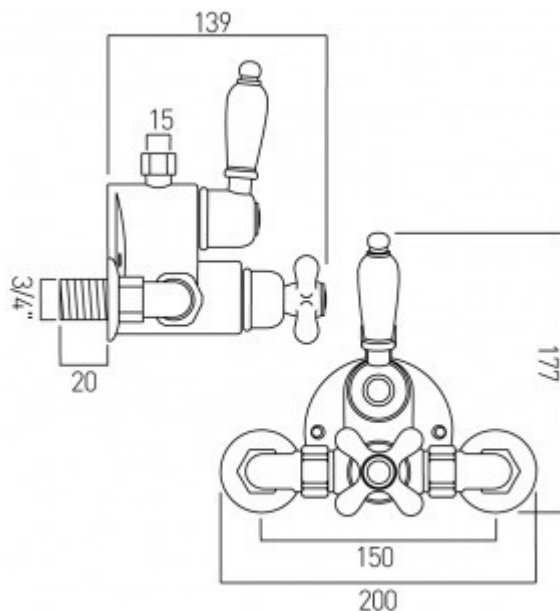


Technical sheet:

chrome: WSB-149-3/4-C/P
antique gold: WSB-149-3/4-A/G



technical drawing



description:

exposed thermostatic shower mixer
wall mounted
thermostatic cartridge HUB-001A-WAX
flow cartridge HUB-002B-3/4
2 x 3/4" x 20mm threaded connections
1 x 1/2" nut and olive outlet
chrome or antique gold

finishes:

chrome
antique gold

minimum operating pressure: 0.2 bar LP

Eco flow regulator: FR-SHOWER/9-C/P

guarantee:

chrome: 12 year guarantee
antique gold: 12 year guarantee

VADO wedmore road cheddar somerset england bs27 3eb

tel 01934 744466 fax 01934 744345 sales@vado-uk.com www.vado-uk.com