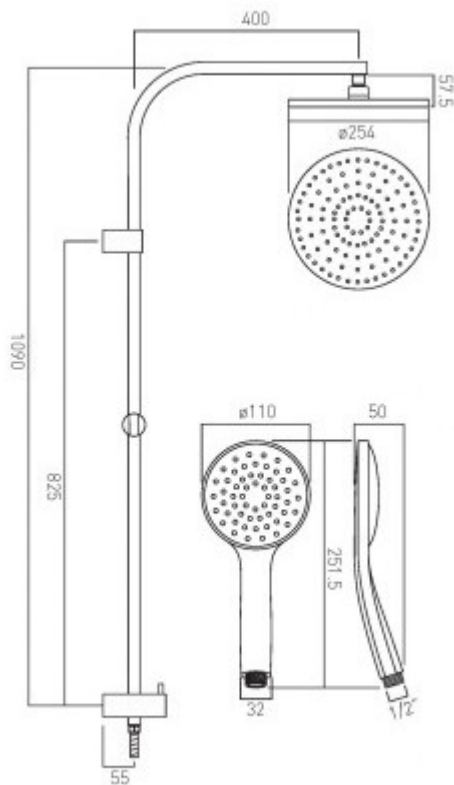




technical drawing



**description:**

rigid riser kit  
with diverter  
with integral outlet  
for use with concealed valves  
1/2" threaded inlet

**finishes:**

chrome

**minimum operating pressure:** 1.0 bar MP

**Eco** flow regulator: FR-SHOWER/9-C/P

**guarantee:**

12 year guarantee

VADO wedmore road cheddar somerset england bs27 3eb

tel 01934 744466 fax 01934 744345 sales@vado-uk.com www.vado-uk.com