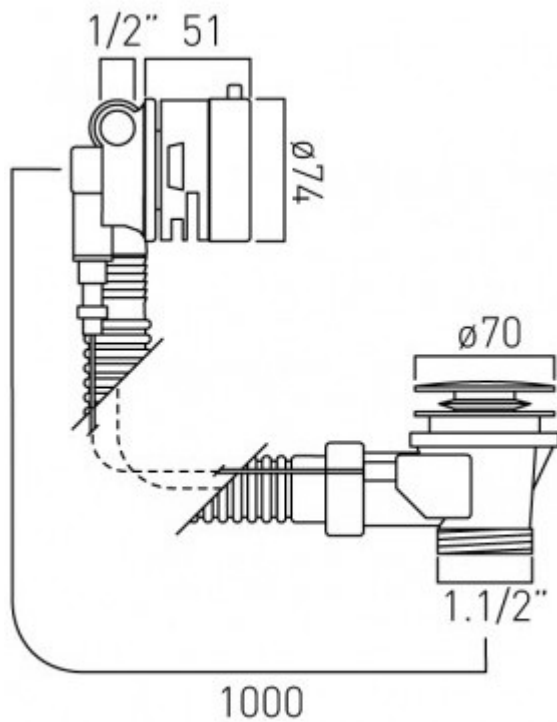




technical drawing



description:

bath filler waste and overflow
extended version
2 x 1/2" inlets
1.1/2" x 10mm threaded outlet connection
min-max overflow bath thickness 1mm-11mm

finishes:

chrome

minimum operating pressure: 1.0 bar MP

guarantee:

12 year guarantee

VADO wedmore road cheddar somerset england bs27 3eb

tel 01934 744466 fax 01934 744345 sales@vado-uk.com www.vado-uk.com