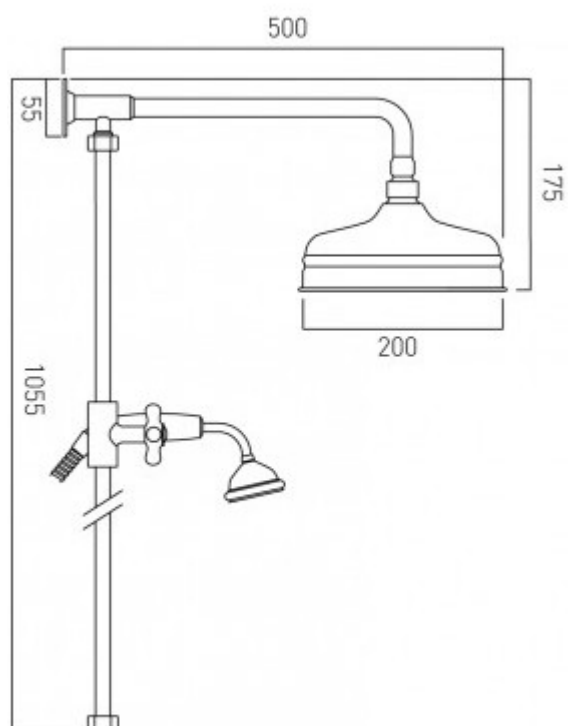




Technical sheet:
chrome: WG-16204A-C/P
antique gold: WG-16204A-A/G



technical drawing



description:

rigid riser with 200mm (8") shower head hand shower and diverter wall mounted nut and olive to 1/2" female x 30mm threaded connections

finishes:

chrome
antique gold

minimum operating pressure: 0.5 bar LP

ECO flow regulator: FR-SHOWER/9-C/P

guarantee:

chrome: 12 year guarantee
antique gold: 12 year guarantee

VADO wedmore road cheddar somerset england bs27 3eb

tel 01934 744466 fax 01934 744345 sales@vado-uk.com www.vado-uk.com