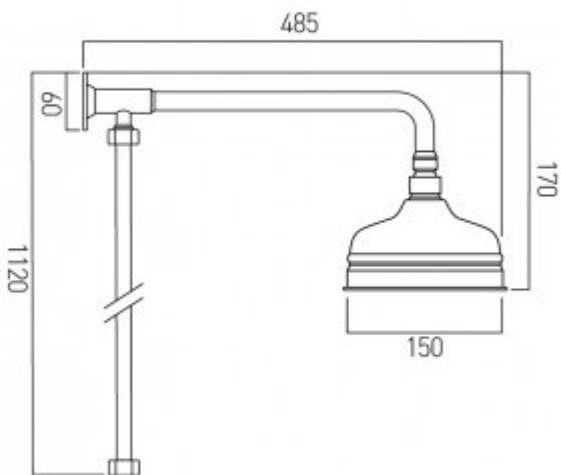




Technical sheet:
chrome: WG-16202-C/P
antique gold: WG-16202-A/G



technical drawing



description:

rigid riser with 150mm (6") fixed shower head
wall mounted
1/2" x captive nut

finishes:

chrome
antique gold

minimum operating pressure: 0.3 bar LP

ECO flow regulator: FR-SHOWER/9-C/P

guarantee:

chrome: 12 year guarantee
antique gold: 12 year guarantee

VADO wedmore road cheddar somerset england bs27 3eb

tel 01934 744466 fax 01934 744345 sales@vado-uk.com www.vado-uk.com