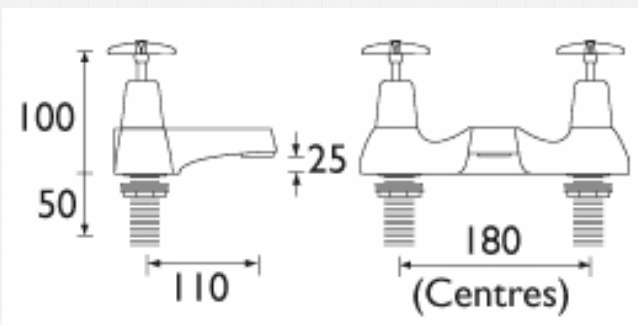


## CROSS TOP BATH FILLER

### Product Specification

<b>Product code:</b>	X BF C
<b>Finish:</b>	Chrome
<b>Inlet Connections:</b>	3/4" BSP
<b>Water Pressure:</b>	Min. 0.2 bar Max. 8.0 bar
<b>Valve Type:</b>	1/2" Standard Valves



### Flow Rates litres per minute

System Pressure	0.2bar	0.3bar	0.4bar	0.5bar	1bar	5bar
X BF C	23	28.3	32.9	36.8	52	116.4

### Product Information

<b>Construction:</b>	Body are of all brass construction and are designed to conform to BS5412
<b>Water Regulations:</b>	All relevant products have been rigorously tested by the WRc and approved in accordance with the Water Regulations Advisory Scheme. WRAS approval Pending.
<b>Supply:</b>	Suitable for all plumbing systems
<b>Technical Advice:</b>	For further information please call +44 (0)844 701 6273 or Email <a href="mailto:enquire@bristan.com">enquire@bristan.com</a>
<b>Guarantee:</b>	All Bristan products are covered by a 5-year guarantee covering manufacturing faults.

