

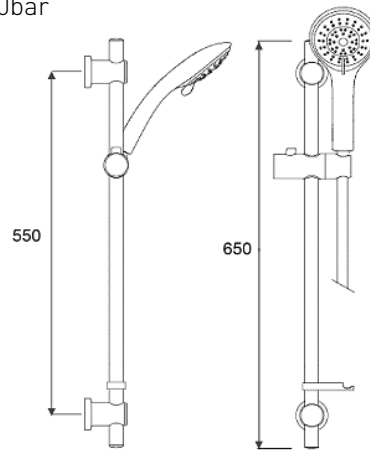
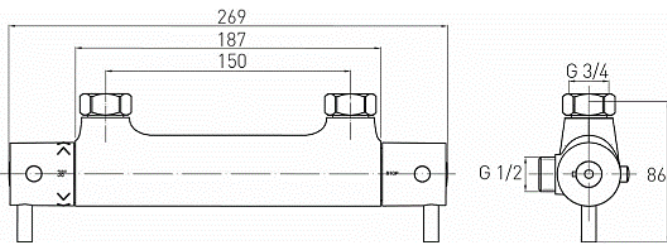
## TECHNICAL DATASHEET

### PRISM COOL CHROME

PRISM COOL TOUCH BAR MIXER WITH ADJUSTABLE RISER RAIL, MULTI MODE HANDSET AND FAST FIT WALL FIXINGS

#### Product Specification

Product Code:	PM SHXMMCTFF C
Finish:	Chrome
Product Type:	Contemporary
Construction:	Body is of brass construction
Cartridge Type:	Thermostatic Cartridge
Supply:	Suitable for all plumbing systems (Preferably balanced)
Inlet Connections:	15mm compression connections
Working Pressures:	Min 0.2bar, Max 5.0bar Maximum Static Pressure 10.0bar
Dimensions for Fitting:	150mm inlet centres



#### Additional Information

- Unique Cool Chrome technology ensures the bar valve stays cool to the touch while in use.
- Dual control – Flow and temperature are controlled separately, giving accurate control of both
- Factory set to a maximum of 38°C to eliminate the ability to select an unsafe temperature – this is adjustable to suit user preference and up to a maximum of 46°C.
- Flow control handle incorporates an eco button to save water, this can be overridden by the user.
- Supplied with WMNT10 C fast fit connections.
- Supplied with 1.75m hose, riser rail, hose retainer and multi function handset with rub clean nozzles.
- Chrome plated to BS EN 248

**Technical Advice:** For further information please call 0844 7016273 or email [customercare@bristan.com](mailto:customercare@bristan.com)

**Guarantee:** 5 years covering manufacturing faults.

#### FlowRates (litres per minute)

System Pressure (bar)	0.2	0.5	1.0	1.5	2.0	3.0	4.0	5.0
Open Outlet	4.2	7.5	11.2	13.7	15.8	19.4	22.4	25.0

Bristan, Birch Coppice Business Park, Dordon, Tamworth, B78 1SG  
Telephone: 0844 701 6274 Facsimile: 0844 701 6275  
Web Site: [www.bristan.com](http://www.bristan.com) Email: [enquire@bristan.com](mailto:enquire@bristan.com)



Guarantee

Delivery

0844 7016273

The information contained on this page was correct at date of issue. Fitting dimensions are provided as a guide only. Some variation may occur due to manufacturing tolerances. Bristan pursues a policy of continuing improvement in design and performance of its products and so reserves the right to change specifications without prior notice.

D1