

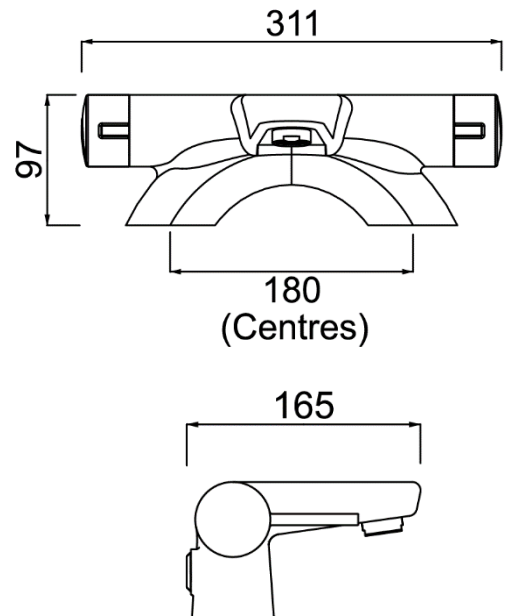
TECHNICAL DATASHEET

COMMERCIAL OPAC THERMOSTATIC DECK MOUNTED BATH FILLER WITH CHROME LEVER

Product Specification



Product Code:	OP THBF DML C
Finish:	Chrome
Product Type:	Commercial
Construction:	Body is of brass construction and is designed to conform to BS EN 1111:1999 (HP) & BS EN 1287:1999 (LP)
Valve Type:	Thermostatic Cartridge
Supply:	Suitable for all plumbing systems (Preferably balanced)
Inlet Connections:	3/4" BSP
Outlet Connections:	1/2" BSP
Working Pressures:	Min 0.2bar, Max 5.0bar Maximum Static Pressure: 10.0 bar
Dimensions for Fitting:	180mm inlet centres



Additional Information

- Cool touch body for ultimate user safety.
- Easy to use lever handles.
- Integral isolator & flushing mechanism for easy maintenance.
- High performance at low pressures.
- Automatic shut-off in the event of hot or cold supply failure.
- TMV3 approved.
- Complies with D08 specification.

Technical Advice: For further information please call 0844 7016273 or email customercare@bristan.com

Guarantee: 1 year covering manufacturing faults.

Compliance / Approvals

WRAS:	Certificate N ^o :	1411028
TMV3:	Certificate N ^o :	BC1486/1114

Flow Rates (litres per minute)

System Pressure	0.2bar	0.5bar	1bar	2bar	3bar	4bar	5bar
Open Outlet	--	14.0	21.0	30.0	38.0	43.0	49.0

Bristan, Birch Coppice Business Park, Dordon, Tamworth, B78 1SG
Telephone: 0844 701 6274 Facsimile: 0844 701 6275
Web Site: www.bristan.com Email: enquire@bristan.com



The information contained on this page was correct at date of issue. Fitting dimensions are provided as a guide only. Some variation may occur due to manufacturing tolerances. Bristan pursues a policy of continuing improvement in design and performance of its products and so reserves the right to change specifications without prior notice.

D1