

TECHNICAL DATASHEET

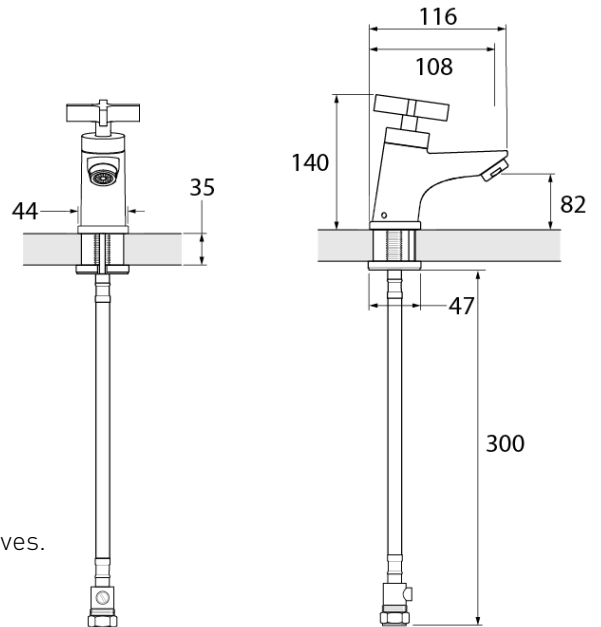
VANTAGE CROSS HEAD VANTAGE EASYFIT BASIN TAPS WITH CROSS HEAD HANDLES

Product Specification

Product Code:	VTX 1/2 C
Finish:	Chrome
Product Type:	Contemporary
Construction:	Body is of brass construction and is designed to conform to BS EN 200
Valve Type:	¼ Turn ½" ceramic disc valves
Supply:	Suitable for all plumbing systems
Inlet Connections:	15mm Flexible connecting pipes incorporating isolation valves.
Working Pressures:	Min 0.2bar, Max 8.0bar



Easyfit
FASTER. SMARTER.



Additional Information

- Unique patented technology.
- Designed with the installer in mind to ensure installation and future maintenance is made quick and easy.
- Ceramic disc valves for added durability and ease of use
- Supplied with flexible connecting pipes incorporating isolation valves.
- Supplied with easy to use metal cross head handles.
- Chrome plated to BS EN 248.

Guarantee: 1 year covering manufacturing faults.

Technical Advice: For further information please call 0844 7016273 or email customer@bristan.com

Flow Rates (litres per minute)

System Pressure	0.2bar	0.5bar	1bar	2bar	3bar	5bar
	4.5	9.8	14.0	20.0	24.7	31.7

Bristan, Birch Coppice Business Park, Dordon, Tamworth, B78 1SG
Telephone: 0844 701 6274 Facsimile: 0844 701 6275
Web Site: www.bristan.com Email: enquire@bristan.com



EASY TO USE



Guarantee



Delivery



0844 7016273

D1

The information contained on this page was correct at date of issue. Fitting dimensions are provided as a guide only. Some variation may occur due to manufacturing tolerances. Bristan pursues a policy of continuing improvement in design and performance of its products and so reserves the right to change specifications without prior notice.