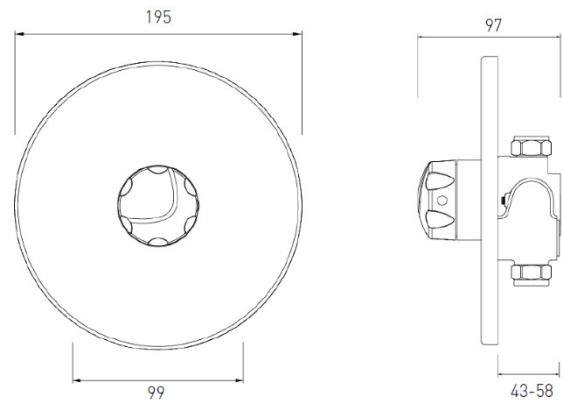


## TECHNICAL DATASHEET

### COMMERCIAL OPAC MINI THERMOSTATIC CONCEALED SHOWER VALVE WITH CHROME HANDLE

#### Product Specification

<b>Product Code:</b>	MINI2 TS1203 CH C
<b>Finish:</b>	Chrome
<b>Product Type:</b>	Commercial
<b>Construction:</b>	Body is of brass construction and is designed to conform to BS EN 1111:1999 (HP) & BS EN 1287:1999 (LP)
<b>Valve Type:</b>	Thermostatic Cartridge
<b>Supply:</b>	Suitable for all plumbing systems (Preferably balanced)
<b>Inlet Connections:</b>	15mm compression elbows
<b>Outlet Connections:</b>	½" BSP
<b>Working Pressures:</b>	Min 0.2bar, Max 8.0bar Maximum Static Pressure: 10.0 bar
<b>Dimensions for Fitting:</b>	99mm inlet centres



Suitable for wall cavity depths of between 43-58mm

#### Additional Information

- Single sequential control for both temperature & flow.
- Anti-vandal stainless steel concealing plate
- Automatic thermostatic shut-off in the event of hot or cold water failure.
- Check valves and serviceable filters as standard
- Supplied as 'valve only' and thus can be customised by choosing accessories from our Pick 'N' Mix showering options. Please see our Product and Price guide for details.
- Inlet centres of 99mm +/- 1mm.
- Chrome plated to BS EN 248.

**Technical Advice:** For further information please call 0844 7016273 or email [customer@bristan.com](mailto:customer@bristan.com)

**Guarantee:** 1 year covering manufacturing faults.

#### Compliance / Approvals

WRAS: Certificate N<sup>o</sup>: 1404020

TMV2: Certificate N<sup>o</sup>: BC1272/1013      TMV2: Certificate N<sup>o</sup>: BC1288/1013

#### Flow Rates (litres per minute)

System Pressure	0.2bar	0.5bar	1bar	2bar	3bar	4bar	5bar
With Flow Limiter Fitted from 1 bar	11.0	20.0	7.8	8.8	9.1	9.4	9.3

Bristan, Birch Coppice Business Park, Dordon, Tamworth, B78 1SG  
Telephone: 0844 701 6274 Facsimile: 0844 701 6275  
Web Site: [www.bristan.com](http://www.bristan.com) Email: [enquire@bristan.com](mailto:enquire@bristan.com)



The information contained on this page was correct at date of issue. Fitting dimensions are provided as a guide only. Some variation may occur due to manufacturing tolerances. Bristan pursues a policy of continuing improvement in design and performance of its products and so reserves the right to change specifications without prior notice.