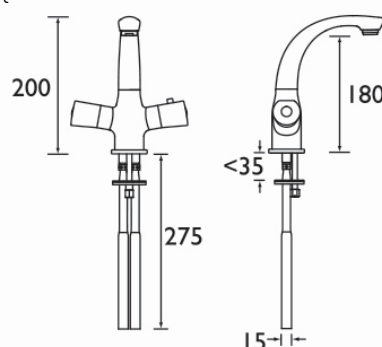


ARTISAN

Artisan TMV2 Thermostatic Basin Mixer

Product Specification

Product Code:	AR2 THBAS C
Finish:	Chrome plated
Product Type:	Contemporary
Construction:	Bodies are of all brass construction
Valve Type:	½" Standard Valve
Cartridge Type:	Thermostatic
Supply:	Suitable for nominally equal (balanced) inlet supply pressures only
Inlet Connections:	15mm copper connecting pipes
Working Pressures:	Min 0.2 Bar Max 5.0 Bar



Additional Information

- Dual control – Flow and temperature are controlled separately giving accurate control of both thermostatic control to bath and shower functions.
- Thermostatic cartridge maintains showering temperature to +/- 1° C by compensating for changes in the incoming water temperature and pressure giving stable outlet temperature.
- Automatic shut off in the event of hot or cold water supply failure, thus reducing the risk of any injury.
- Factory set to 38°C to eliminate the ability to select unsafe temperature, this can be overridden by the user.
- Chrome plated to BS EN 248.
- This product must have nominally equal (balanced) inlet supply pressures to function correctly. If pressures are unequal, then a pressure reducing valve should be used.

Technical Advice: For further information please call 0844 7016273 or email customer@bristan.com.

Guarantee: 5 years covering manufacturing faults.

Compliance / Approvals

WRAS: Certificate No: 1407011

Flow Rates (litres per minute)

System Pressure	0.2bar	0.4bar	0.5bar	1.0 bar	2.0 bar	3.0bar	4.0bar	5.0bar
AR2 THBAS C	3.2	6.6	7.9	12.1	17.8	21.8	25.0	28.1

Bristan, Birch Coppice Business Park, Dordon, Tamworth, B78 1SG
 Telephone: 0844 701 6274 Facsimile: 0844 701 6275
 Web Site: www.bristan.com Email: enquire@bristan.com



The information contained on this page was correct at date of issue. Fitting dimensions are provided as a guide only. Some variation may occur due to manufacturing tolerances. Bristan pursues a policy of continuing improvement in design and performance of its products and so reserves the right to change specifications without prior notice.

D2