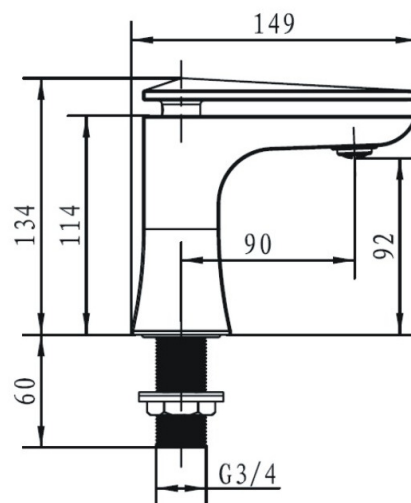


Ebony Ebony Bath Taps



Product Specification

Product Code:	EBY ¾ C
Finish:	Chrome plated
Product Type:	Traditional
Construction:	Bodies are of all brass construction and are designed to conform to BS EN 200
Valve Type:	¼ turn ¾ " ceramic disc valves
Supply:	Suitable for all plumbing systems
Inlet Connections:	¾ " BSP
Working Pressures:	Min 0.2 Bar Max 5.0 Bar



Additional Information

- Supplied with metal handles
- Supplied with metal backnuts
- Chrome plated to BSN EN 248

Technical Advice: For further information please call 0844 7016273 or email customer@bristan.com.

Guarantee: 5 years covering manufacturing faults.

Flow Rates (litres per minute)

System Pressure	0.2bar	0.4bar	0.5bar	1.0 bar	2.0 bar	3.0bar	4.0bar	5.0bar
EBY ¾ C	12.6	19.8	22.4	31.4	43.7	53.52	61.79	69.08

Bristan, Birch Coppice Business Park, Dordon, Tamworth, B78 1SG
 Telephone: 0844 701 6274 Facsimile: 0844 701 6275
 Web Site: www.bristan.com Email: enquire@bristan.com



The information contained on this page was correct at date of issue. Fitting dimensions are provided as a guide only. Some variation may occur due to manufacturing tolerances. Bristan pursues a policy of continuing improvement in design and performance of its products and so reserves the right to change specifications without prior notice.

D1