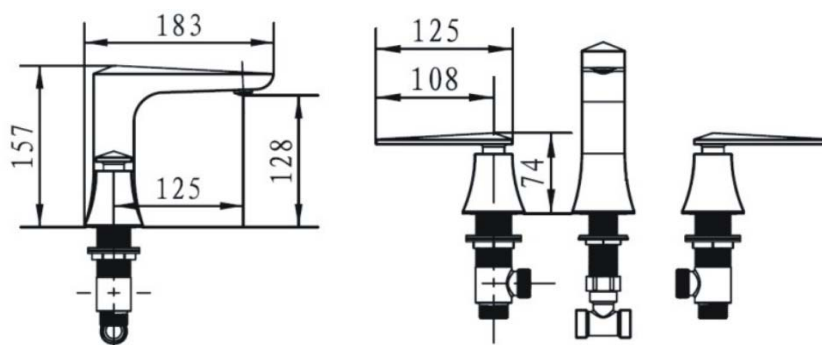


## Ebony Ebony 3 Hole Bath Filler



### Product Specification

**Product Code:** EBY 3HBF C  
**Finish:** Chrome plated  
**Product Type:** Traditional  
**Construction:** Bodies are of all brass construction and are designed to conform to BS EN 200  
**Valve Type:** ¼ Turn ¾" CD Valve  
**Supply:** Suitable for all plumbing systems  
**Inlet Connections:** G ¾" BSP  
**Working Pressures:** Min 0.3 Bar Max 5.0 Bar



### Additional Information

- Supplied with metal backnuts
- Chrome plated to BSN EN 248

**Technical Advice:** For further information please call 0844 7016273 or email [customercare@bristan.com](mailto:customercare@bristan.com).

**Guarantee:** 5 years covering manufacturing faults.

### Flow Rates (litres per minute)

| System Pressure    | 0.3bar | 0.4bar | 0.5bar | 1.0 bar | 2.0 bar | 3.0bar | 4.0bar | 5.0bar |
|--------------------|--------|--------|--------|---------|---------|--------|--------|--------|
| EBY 3HBF C (Hot)   | 14     | 16.2   | 18.3   | 26.3    | 36.9    | 45.19  | 52.18  | 58.33  |
| EBY 3HBF C (Cold)  | 13.2   | 15.6   | 17.6   | 25.2    | 36.3    | 44.45  | 51.32  | 57.38  |
| EBY 3HBF C (Mixed) | 19.9   | 22.5   | 32.10  | 46.4    | 65.62   | 80.37  | 92.80  | 103.75 |

Bristan, Birch Coppice Business Park, Dordon, Tamworth, B78 1SG  
 Telephone: 0844 701 6274 Facsimile: 0844 701 6275  
 Web Site: [www.bristan.com](http://www.bristan.com) Email: [enquire@bristan.com](mailto:enquire@bristan.com)



The information contained on this page was correct at date of issue. Fitting dimensions are provided as a guide only. Some variation may occur due to manufacturing tolerances. Bristan pursues a policy of continuing improvement in design and performance of its products and so reserves the right to change specifications without prior notice.