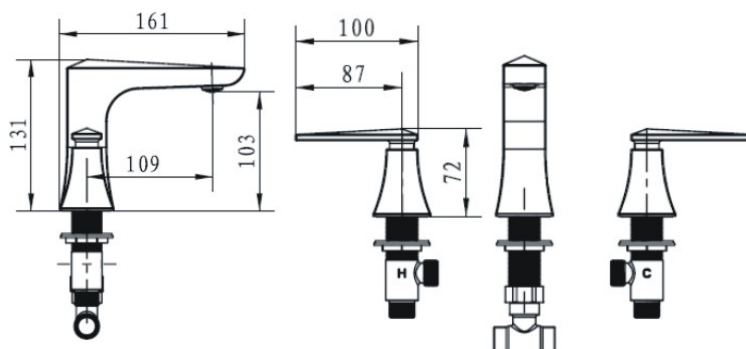


Ebony Ebony 3 Hole Basin Mixer



Product Specification

Product Code: EBY 3HBAS C
Finish: Chrome plated
Product Type: Traditional
Construction: Bodies are of all brass construction and are designed to conform to BS EN 200
Valve Type: ¼ Turn ½" CD Valve
Supply: Suitable for all plumbing systems
Inlet Connections: G ½" BSP
Working Pressures: Min 0.2 Bar Max 5.0 Bar



Additional Information

- Supplied with metal backnuts
- Supplied with clicker waste
- Chrome plated to BSN EN 248

Technical Advice: For further information please call 0844 7016273 or email customer-care@bristan.com.

Guarantee: 5 years covering manufacturing faults.

Flow Rates (litres per minute)

System Pressure	0.2bar	0.3bar	0.5bar	1.0 bar	2.0 bar	3.0bar	4.0bar	5.0bar
EBY 3HBAS C (Hot)	5.70	6.80	9.60	13.90	20.50	24.90	28.60	30.90
EBY 3HBAS C (Cold)	5.95	7.80	10.00	14.50	20.75	24.54	29.50	33.10
EBY 3HBAS C (Mixed)	11.65	14.60	19.60	28.40	41.25	49.44	58.10	64.00

Bristan, Birch Coppice Business Park, Dordon, Tamworth, B78 1SG
 Telephone: 0844 701 6274 Facsimile: 0844 701 6275
 Web Site: www.bristan.com Email: enquire@bristan.com



The information contained on this page was correct at date of issue. Fitting dimensions are provided as a guide only. Some variation may occur due to manufacturing tolerances. Bristan pursues a policy of continuing improvement in design and performance of its products and so reserves the right to change specifications without prior notice.

D1